

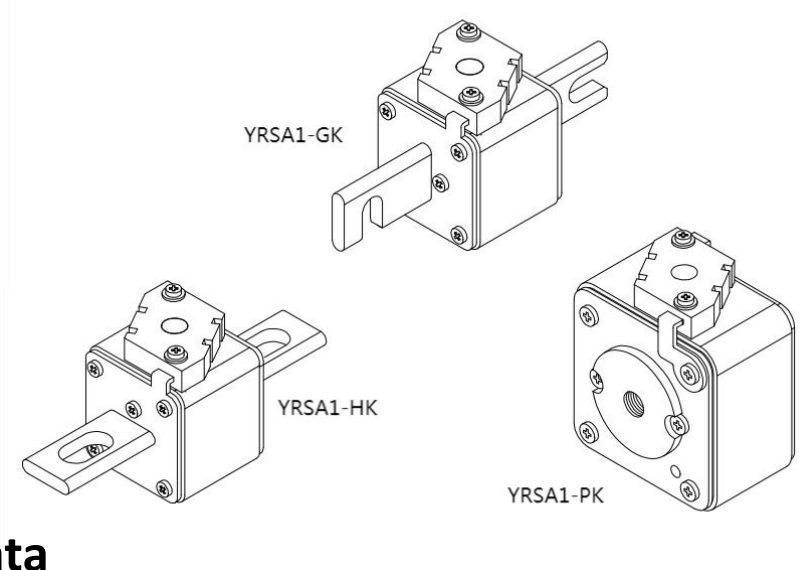


# High Speed Fuse YRSA Square Body Series



## Description

YRSA Square Body Series Fuses are designed for short-circuit protection. With the features of strong current limiting capacity, high breaking capacity and fast short-circuit breaking speed, YRSA Square Body Series Fuses are suitable for short-circuit and backup protection of frequency converters, rectifiers, inverters, various power supplies and other semiconductor equipment as well as batteries, motors, capacitors, wires and other equipment and devices. Besides, it also can be used for short circuit for electric vehicle drive power systems, power conversion systems, energy storage and power batteries, energy storage capacitors, inverter controllers, chargers, wires, automotive devices and other backup protection.

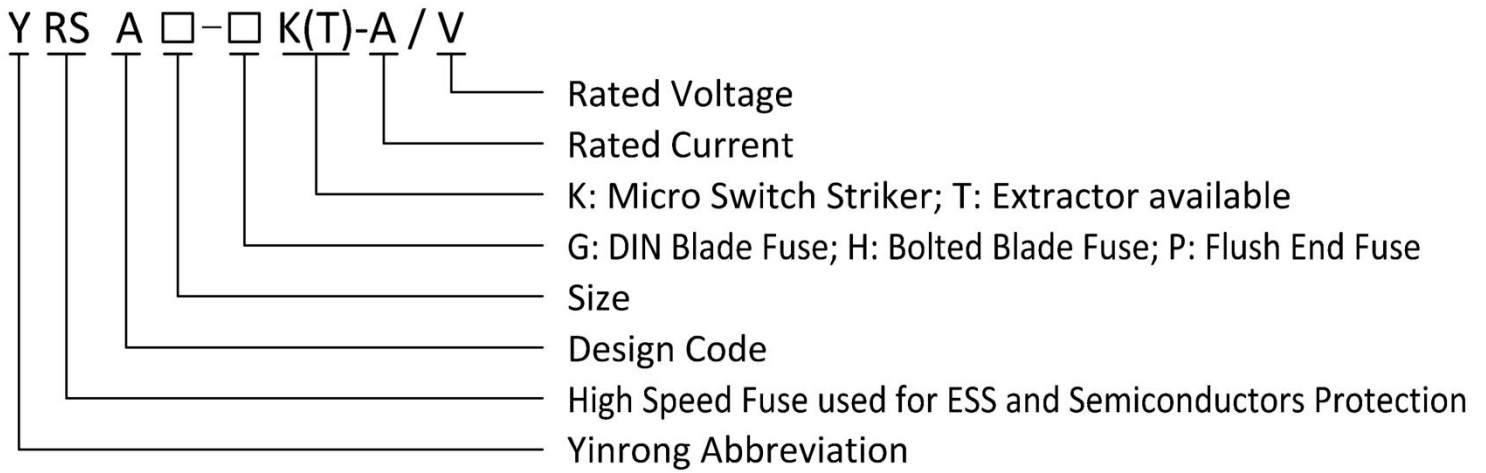


## Technical Data

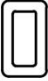


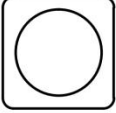
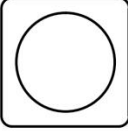
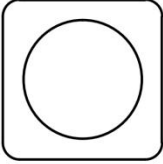
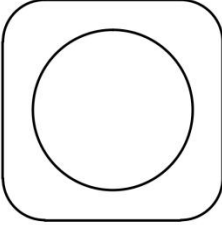
- Rated Voltage: 690VAC/DC-1500VAC/DC
- Breaking Capacity: 200kA@AC; 100kA@DC ( $\tau \leq 15\text{ms}$ )
- Rated Current: 10-4000A
- Class of Operation: aR; gR; gS
- Standards/Approvals: IEC60269; DIN43653; GB/T13539.4



## Part Numbering System



## Size Overview

Size	000	00	01	1	2	3	4
Max Cross Section Dimension (mm)	21×36	30×47	45×45	51×51	61×61	75×75	105×105
							

## Parameters

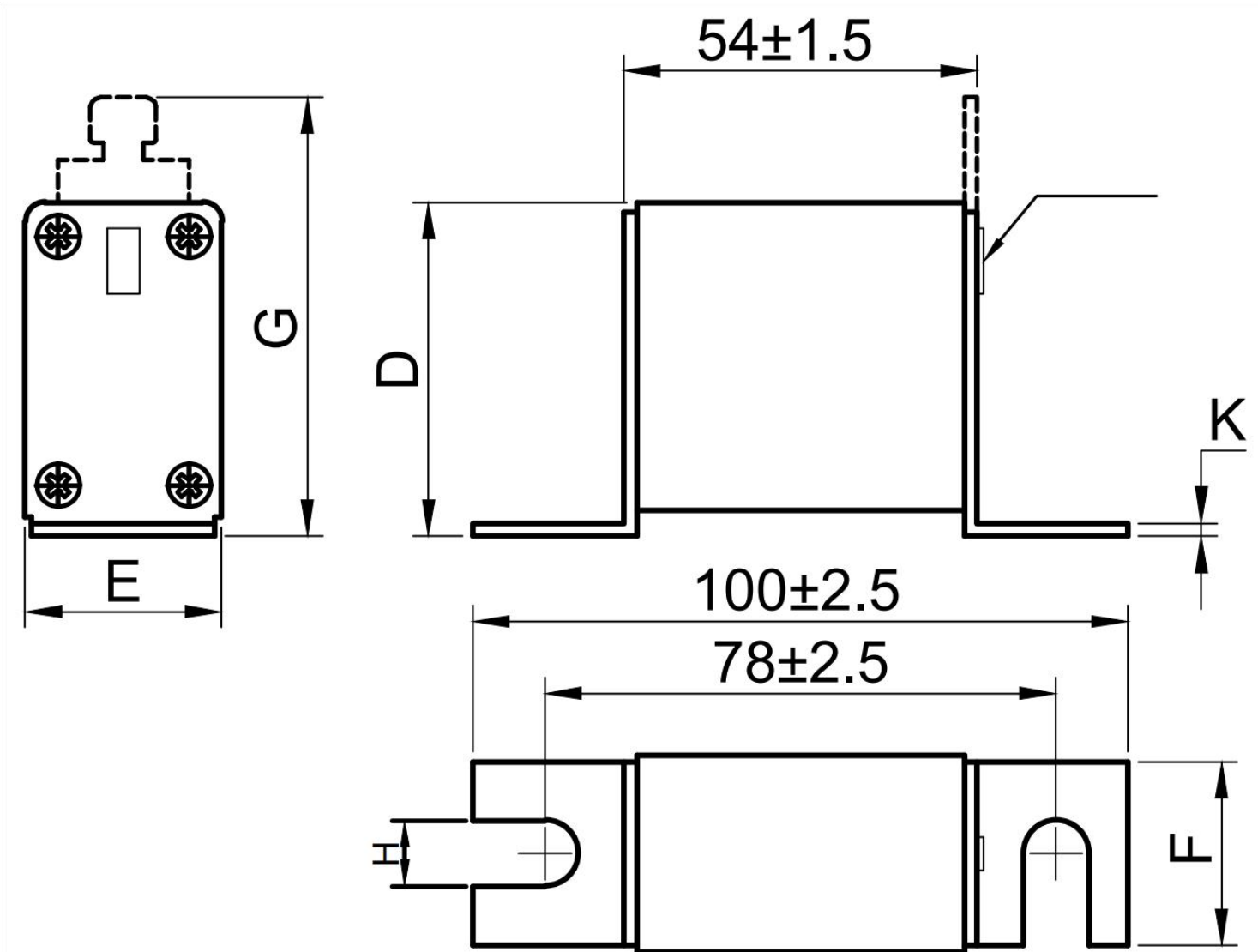
P/N	Size	Current (A)	I <sup>2</sup> t (A <sup>2</sup> s) 690V/700VAC		Power Loss (W)	Mounting
			Pre-arcing	Melt		
YRSA000-G-690V/10A	000	10	4	26	3	Bolt M8 Torque 10N.m
YRSA000-G-690V/16A		16	7	47	5.5	
YRSA000-G-690V/20A		20	11	77	7	
YRSA000-G-690V/25A		25	19	129	9	
YRSA000-G-690V/32A		32	40	270	10	
YRSA000-G-690V/40A		40	68	455	12	
YRSA000-G-690V/50A		50	116	772	15	
YRSA000-G-690V/63A		63	214	1430	16	
YRSA000-G-690V/80A		80	385	2560	19	
YRSA000-G-690V/100A		100	690	4650	24	
YRSA000-G-690V/125A		125	1190	8500	28	
YRSA000-G-690V/160A		160	2200	15800	32	
YRSA000-G-690V/200A		200	4180	27800	38	
YRSA000-G-690V/250A		250	7650	51300	42	
YRSA000-G-690V/315A		315	11900	80300	50	



P/N	Size	Current (A)	I <sup>2</sup> t (A <sup>2</sup> s) 690V/700VAC		Power Loss (W)	Mounting
			Pre-arcing	Melt		
YRSA00-G-690V/25A	00	25	18	128	6	Bolt M8 Torque 10N.m
YRSA00-G-690V/32A		32	28	190	7	
YRSA00-G-690V/40A		40	51	370	9	
YRSA00-G-690V/50A		50	96	650	10	
YRSA00-G-690V/63A		63	175	1220	12	
YRSA00-G-690V/80A		80	320	2200	15	
YRSA00-G-690V/100A		100	630	4200	20	
YRSA00-G-690V/125A		125	1100	6990	25	
YRSA00-G-690V/160A		160	1980	13100	30	
YRSA00-G-690V/200A		200	3500	23100	35	
YRSA00-G-690V/250A		250	6260	42200	45	
YRSA00-G-690V/315A		315	10100	68600	55	
YRSA00-G-690V/350A		350	13500	91600	60	
YRSA00-G-690V/400A		400	18200	126000	70	

## Dimensions (mm)

P/N	D±2.5	E±1.5	F±1	G±2.5	H±1	K±0.2
YRSA000-G	40	20	20	51	8	2
YRSA00-G	51	29	28	67	10	2



## Parameters

P/N	Size	Current (A)	I <sup>2</sup> t (A <sup>2</sup> s) 690V/700VAC		Power Loss (W)	Mounting
			Pre-arcing	Melt		
YRSA01-G-690V/40A	01	40	49	278	8	Bolt M8 Torque 10N.m
YRSA01-G-690V/50A		50	76	488	10	
YRSA01-G-690V/63A		63	112	759	12	
YRSA01-G-690V/80A		80	200	1180	15	
YRSA01-G-690V/100A		100	330	2200	20	
YRSA01-G-690V/125A		125	600	3700	24	
YRSA01-G-690V/160A		160	1050	7300	30	
YRSA01-G-690V/200A		200	1900	13300	34	
YRSA01-G-690V/250A		250	3500	24100	40	
YRSA01-G-690V/315A		315	6500	44100	48	
YRSA01-G-690V/350A		350	8800	59100	54	
YRSA01-G-690V/400A		400	15400	98500	60	
YRSA01-G-690V/450A		450	20300	138500	66	
YRSA01-G-690V/500A		500	29400	186100	70	
YRSA01-G-690V/550A		550	38100	231200	75	
YRSA01-G-690V/630A		630	52100	319000	79	



P/N	Size	Current (A)	I <sup>2</sup> t (A <sup>2</sup> s) 690V/700VAC		Power Loss (W)	Mounting
			Pre-arcing	Melt		
YRSA1-G-690V/200A	1	200	1700	11500	40	Bolt M8 Torque 10N.m
YRSA1-G-690V/250A		250	3200	21200	50	
YRSA1-G-690V/315A		315	6500	39900	55	
YRSA1-G-690V/350A		350	8500	56100	60	
YRSA1-G-690V/400A		400	13900	88700	65	
YRSA1-G-690V/450A		450	19200	120100	69	
YRSA1-G-690V/500A		500	26700	168000	72	
YRSA1-G-690V/550A		550	35700	219000	76	
YRSA1-G-690V/630A		630	51900	337000	82	
YRSA1-G-690V/700A		700	70100	460000	90	
YRSA1-G-690V/800A		800	109000	715000	96	

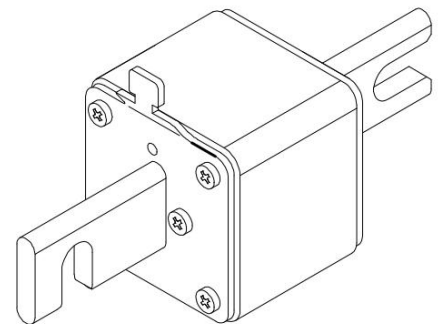
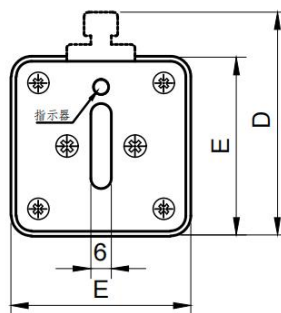
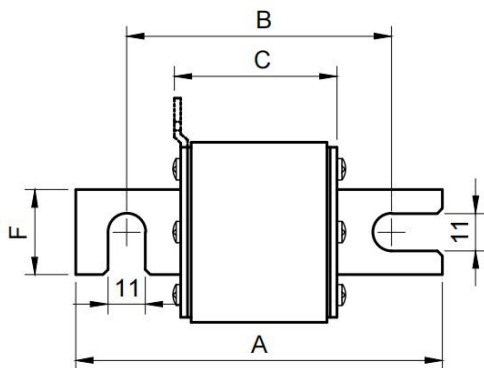
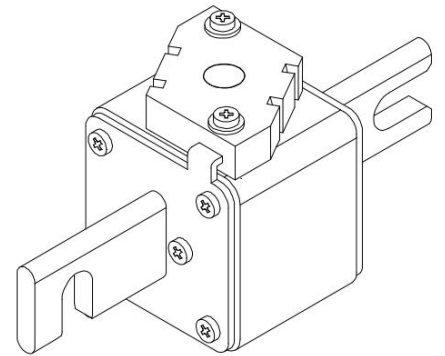
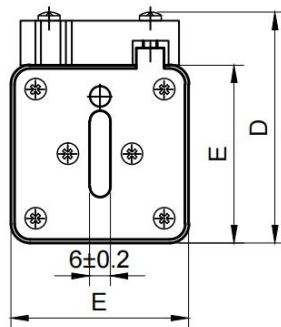
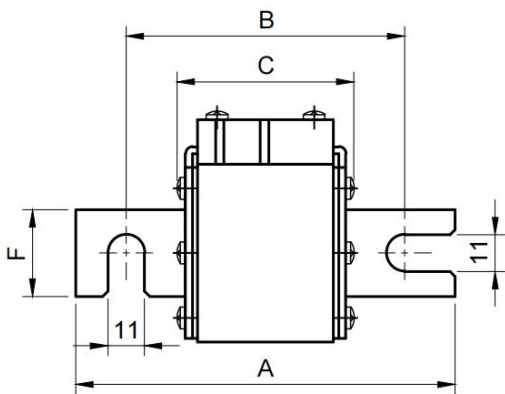
P/N	Size	Current (A)	I <sup>2</sup> t (A <sup>2</sup> s) 690V/700VAC		Power Loss (W)	Mounting
			Pre-arcing	Melt		
YRSA2-G-690V/400A	2	400	11900	73500	60	Bolt M10 Torque 15N.m
YRSA2-G-690V/450A		450	18500	104000	65	
YRSA2-G-690V/500A		500	25200	145000	70	
YRSA2-G-690V/550A		550	31400	189000	75	
YRSA2-G-690V/630A		630	43000	269000	80	
YRSA2-G-690V/700A		700	61100	401000	89	
YRSA2-G-690V/800A		800	86900	559000	105	
YRSA2-G-690V/900A		900	131000	803000	110	
YRSA2-G-690V/1000A		1000	169000	1110000	115	
YRSA2-G-690V/1100A		1100	228000	1390000	120	
YRSA2-G-690V/1250A		1250	356000	2210000	126	

P/N	Size	Current (A)	I <sup>2</sup> t (A <sup>2</sup> s) 690V/700VAC		Power Loss (W)	Mounting
			Pre-arcing	Melt		
YRSA3-G-690V/500A	3	500	17900	93000	85	Bolt M12 Torque 26N.m
YRSA3-G-690V/550A		550	21900	133000	92	
YRSA3-G-690V/630A		630	35500	198000	100	
YRSA3-G-690V/700A		700	51000	285000	105	
YRSA3-G-690V/800A		800	82200	459000	110	
YRSA3-G-690V/900A		900	111000	670000	117	
YRSA3-G-690V/1000A		1000	161000	951000	122	
YRSA3-G-690V/1100A		1100	219000	1250000	128	
YRSA3-G-690V/1250A		1250	299000	1740000	135	
YRSA3-G-690V/1400A		1400	391000	2193000	150	
YRSA3-G-690V/1500A		1500	463000	2588000	160	
YRSA3-G-690V/1600A		1600	545000	3080000	165	
YRSA3-G-690V/1800A		1800	881000	4380000	168	
YRSA3-G-690V/2000A		2000	1120000	5200000	175	



## Dimensions (mm)

P/N	A±2.5 (80 Type)	A±2.5 (110 Type)	B±2.5 (80 Type)	B±2.5 (110 Type)	C±2.5	D±2.5 (GK)	D±2.5 (GT)	E±2.5	F±1
YRSA01-G	104	134	78	108	50	59	58	45	22
YRSA1-G	108	138	78	108	50	69	66	53	25
YRSA2-G	108	138	78	108	50	77	75	61	25
YRSA3-G	109	139	78	108	51	92	90	75	30



## Parameters

P/N	Size	Current (A)	I <sup>2</sup> t (A <sup>2</sup> s) 690V/700VAC		Power Loss (W)	Mounting
			Pre-arcing	Melt		
YRSA01-HK-690V/40A	01	40	49	278	8	Bolt M8 Torque 10N.m
YRSA01-HK-690V/50A		50	76	488	10	
YRSA01-HK-690V/63A		63	112	759	12	
YRSA01-HK-690V/80A		80	200	1180	15	
YRSA01-HK-690V/100A		100	330	2200	20	
YRSA01-HK-690V/125A		125	600	3700	24	
YRSA01-HK-690V/160A		160	1050	7300	30	
YRSA01-HK-690V/200A		200	1900	13300	34	
YRSA01-HK-690V/250A		250	3500	24100	40	
YRSA01-HK-690V/315A		315	6500	44100	48	
YRSA01-HK-690V/350A		350	8800	59100	54	
YRSA01-HK-690V/400A		400	15400	98500	60	
YRSA01-HK-690V/450A		450	20300	138500	66	
YRSA01-HK-690V/500A		500	29400	186100	70	
YRSA01-HK-690V/550A		550	38100	231200	75	
YRSA01-HK-690V/630A		630	52100	319000	79	

P/N	Size	Current (A)	I <sup>2</sup> t (A <sup>2</sup> s) 690V/700VAC		Power Loss (W)	Mounting
			Pre-arcing	Melt		
YRSA1-HK-690V/200A	1	200	1700	11500	40	Bolt M8 Torque 10N.m
YRSA1-HK-690V/250A		250	3200	21200	50	
YRSA1-HK-690V/315A		315	6500	39900	55	
YRSA1-HK-690V/350A		350	8500	56100	60	
YRSA1-HK-690V/400A		400	13900	88700	65	
YRSA1-HK-690V/450A		450	19200	120100	69	
YRSA1-HK-690V/500A		500	26700	168000	72	
YRSA1-HK-690V/550A		550	35700	219000	76	
YRSA1-HK-690V/630A		630	51900	337000	82	
YRSA1-HK-690V/700A		700	70100	460000	90	
YRSA1-HK-690V/800A		800	109000	715000	96	

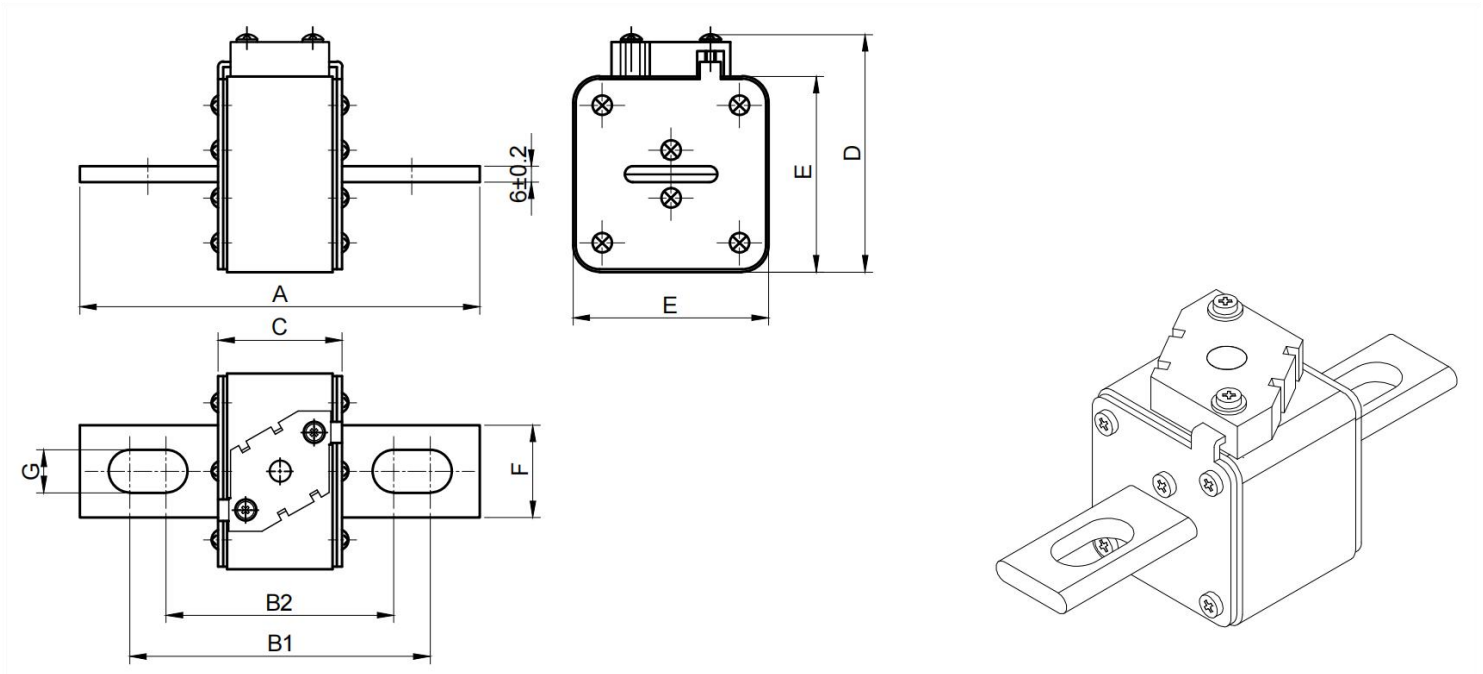


P/N	Size	Current (A)	I <sup>2</sup> t (A <sup>2</sup> s) 690V/700VAC		Power Loss (W)	Mounting
			Pre-arcing	Melt		
YRSA2-HK-690V/400A	2	400	11900	73500	60	Bolt M10 Torque 15N.m
YRSA2-HK-690V/450A		450	18500	104000	65	
YRSA2-HK-690V/500A		500	25200	145000	70	
YRSA2-HK-690V/550A		550	31400	189000	75	
YRSA2-HK-690V/630A		630	43000	269000	80	
YRSA2-HK-690V/700A		700	61100	401000	89	
YRSA2-HK-690V/800A		800	86900	559000	105	
YRSA2-HK-690V/900A		900	131000	803000	110	
YRSA2-HK-690V/1000A		1000	169000	1110000	115	
YRSA2-HK-690V/1100A		1100	228000	1390000	120	
YRSA2-HK-690V/1250A		1250	356000	2210000	126	

P/N	Size	Current (A)	I <sup>2</sup> t (A <sup>2</sup> s) 690V/700VAC		Power Loss (W)	Mounting
			Pre-arcing	Melt		
YRSA3-HK-690V/500A	3	500	17900	93000	85	Bolt M12 Torque 26N.m
YRSA3-HK-690V/550A		550	21900	133000	92	
YRSA3-HK-690V/630A		630	35500	198000	100	
YRSA3-HK-690V/700A		700	51000	285000	105	
YRSA3-HK-690V/800A		800	82200	459000	110	
YRSA3-HK-690V/900A		900	111000	670000	117	
YRSA3-HK-690V/1000A		1000	161000	951000	122	
YRSA3-HK-690V/1100A		1100	219000	1250000	128	
YRSA3-HK-690V/1250A		1250	299000	1740000	135	
YRSA3-HK-690V/1400A		1400	391000	2193000	150	
YRSA3-HK-690V/1500A		1500	463000	2588000	160	
YRSA3-HK-690V/1600A		1600	545000	3080000	165	
YRSA3-HK-690V/1800A		1800	881000	4380000	168	
YRSA3-HK-690V/2000A		2000	1120000	5200000	175	

## Dimensions (mm)

P/N	A±2.5	A±2.5 (115 Type)	B1±2.5	B1±2.5 (115 Type)	B2±2.5	B2±2.5 (115 Type)	C±2.5	D±2.5	E±2	F±1	G±0.5
YRSA01-H	110	148	85	123	72	110	50	59	45	20	10
YRSA1-H	136	157	104	126	78	100	50	69	53	25	14
YRSA2-H	135	159	105	125	78	99	50	77	61	25	14
YRSA3-H	135	155	106	125	77	97	51	92	75	36	16

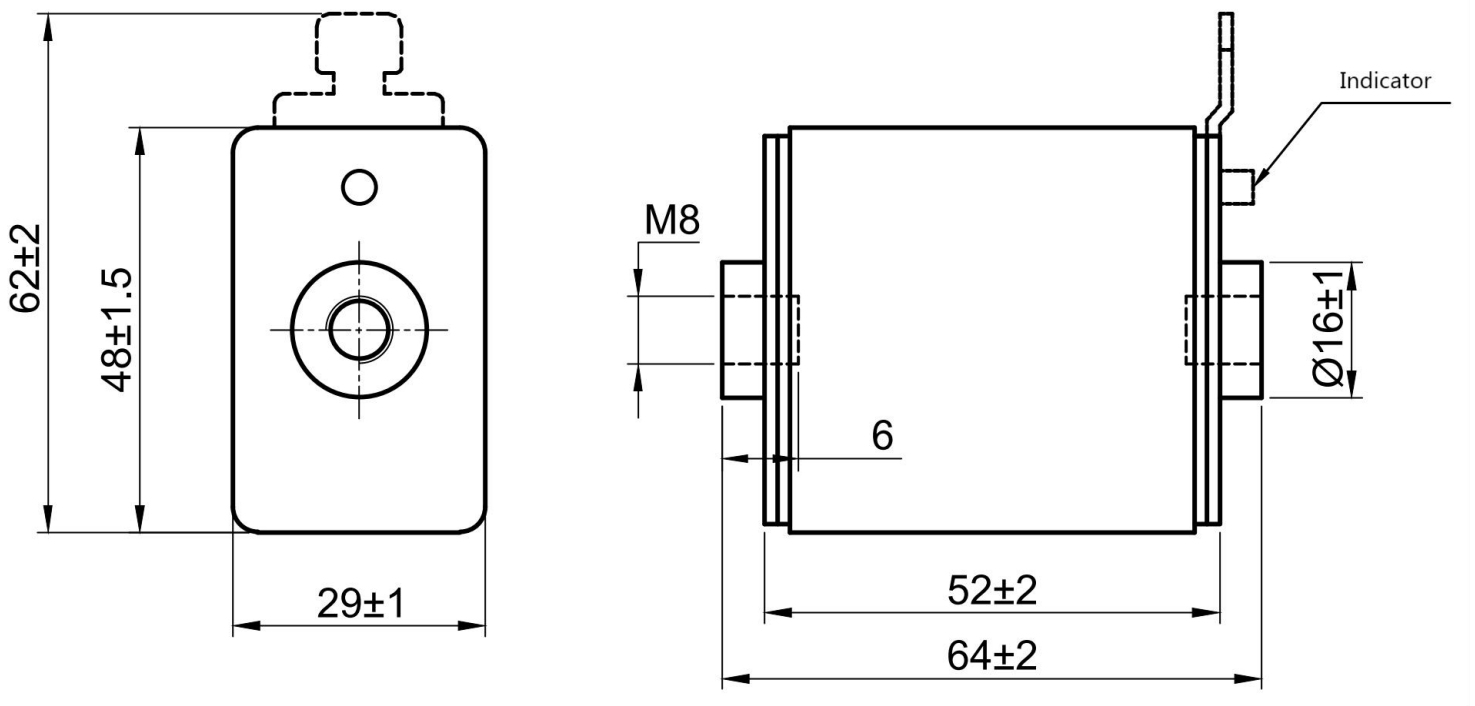




## Parameters

P/N	Size	Current (A)	I <sup>2</sup> t (A <sup>2</sup> s) 690V/700VAC		Power Loss (W)	Mounting
			Pre-arcing	Melt		
YRSA00-P-690V/25A	00	25	18	128	6	Bolt M8 Torque 10N.m
YRSA00-P-690V/32A		32	28	190	7	
YRSA00-P-690V/40A		40	51	370	9	
YRSA00-P-690V/50A		50	96	650	10	
YRSA00-P-690V/63A		63	175	1220	12	
YRSA00-P-690V/80A		80	320	2200	15	
YRSA00-P-690V/100A		100	630	4200	20	
YRSA00-P-690V/125A		125	1100	6990	25	
YRSA00-P-690V/160A		160	1980	13100	30	
YRSA00-P-690V/200A		200	3500	23100	35	
YRSA00-P-690V/250A		250	6260	42200	45	
YRSA00-P-690V/315A		315	10100	68600	55	
YRSA00-P-690V/350A		350	13500	91600	60	
YRSA00-P-690V/400A		400	18200	126000	70	

## Dimensions (mm)



P/N	Size	Current (A)	I <sup>2</sup> t (A <sup>2</sup> s) 690V/700VAC		Power Loss (W)	Mounting
			Pre-arcing	Melt		
YRSA01-PK-690V/40A	01	40	49	278	8	Bolt M8 Torque 10N.m
YRSA01-PK-690V/50A		50	76	488	10	
YRSA01-PK-690V/63A		63	112	759	12	
YRSA01-PK-690V/80A		80	200	1180	15	
YRSA01-PK-690V/100A		100	330	2200	20	
YRSA01-PK-690V/125A		125	600	3700	24	
YRSA01-PK-690V/160A		160	1050	7300	30	
YRSA01-PK-690V/200A		200	1900	13300	34	
YRSA01-PK-690V/250A		250	3500	24100	40	
YRSA01-PK-690V/315A		315	6500	44100	48	
YRSA01-PK-690V/350A		350	8800	59100	54	
YRSA01-PK-690V/400A		400	15400	98500	60	
YRSA01-PK-690V/450A		450	20300	138500	66	
YRSA01-PK-690V/500A		500	29400	186100	70	
YRSA01-PK-690V/550A		550	38100	231200	75	
YRSA01-PK-690V/630A		630	52100	319000	79	

P/N	Size	Current (A)	I <sup>2</sup> t (A <sup>2</sup> s) 690V/700VAC		Power Loss (W)	Mounting
			Pre-arcing	Melt		
YRSA1-PK-690V/200A	1	200	1700	11500	40	Bolt M8 Torque 10N.m
YRSA1-PK-690V/250A		250	3200	21200	50	
YRSA1-PK-690V/315A		315	6500	39900	55	
YRSA1-PK-690V/350A		350	8500	56100	60	
YRSA1-PK-690V/400A		400	13900	88700	65	
YRSA1-PK-690V/450A		450	19200	120100	69	
YRSA1-PK-690V/500A		500	26700	168000	72	
YRSA1-PK-690V/550A		550	35700	219000	76	
YRSA1-PK-690V/630A		630	51900	337000	82	
YRSA1-PK-690V/700A		700	70100	460000	90	
YRSA1-PK-690V/800A		800	109000	715000	96	

P/N	Size	Current (A)	I <sup>2</sup> t (A <sup>2</sup> s) 690V/700VAC		Power Loss (W)	Mounting
			Pre-arcing	Melt		
YRSA2-PK-690V/400A	2	400	11900	73500	60	Bolt M10 Torque 15N.m
YRSA2-PK-690V/450A		450	18500	104000	65	
YRSA2-PK-690V/500A		500	25200	145000	70	
YRSA2-PK-690V/550A		550	31400	189000	75	
YRSA2-PK-690V/630A		630	43000	269000	80	
YRSA2-PK-690V/700A		700	61100	401000	89	
YRSA2-PK-690V/800A		800	86900	559000	105	
YRSA2-PK-690V/900A		900	131000	803000	110	
YRSA2-PK-690V/1000A		1000	169000	1110000	115	
YRSA2-PK-690V/1100A		1100	228000	1390000	120	
YRSA2-PK-690V/1250A		1250	356000	2210000	126	

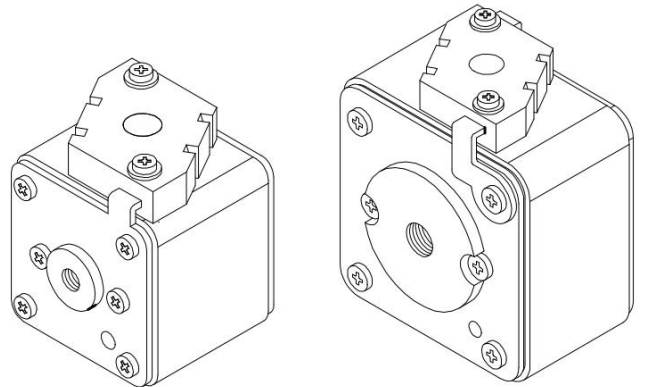
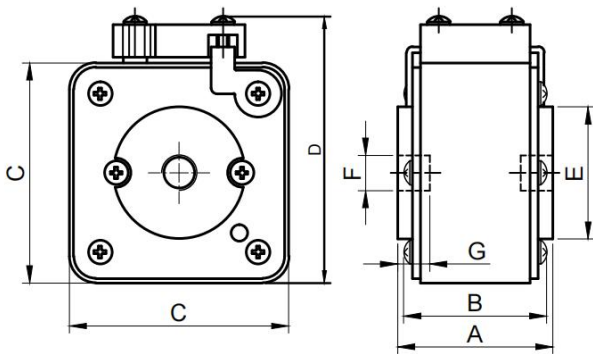


P/N	Size	Current (A)	I <sup>2</sup> t (A <sup>2</sup> s) 690V/700VAC		Power Loss (W)	Mounting
			Pre-arcing	Melt		
YRSA3-PK-690V/500A	3	500	17900	93000	85	Bolt M12 Torque 26N.m
YRSA3-PK-690V/550A		550	21900	133000	92	
YRSA3-PK-690V/630A		630	35500	198000	100	
YRSA3-PK-690V/700A		700	51000	285000	105	
YRSA3-PK-690V/800A		800	82200	459000	110	
YRSA3-PK-690V/900A		900	111000	670000	117	
YRSA3-PK-690V/1000A		1000	161000	951000	122	
YRSA3-PK-690V/1100A		1100	219000	1250000	128	
YRSA3-PK-690V/1250A		1250	299000	1740000	135	
YRSA3-PK-690V/1400A		1400	391000	2193000	150	
YRSA3-PK-690V/1500A		1500	463000	2588000	160	
YRSA3-PK-690V/1600A		1600	545000	3080000	165	
YRSA3-PK-690V/1800A		1800	881000	4380000	168	
YRSA3-PK-690V/2000A		2000	1120000	5200000	175	

## Dimensions (mm)

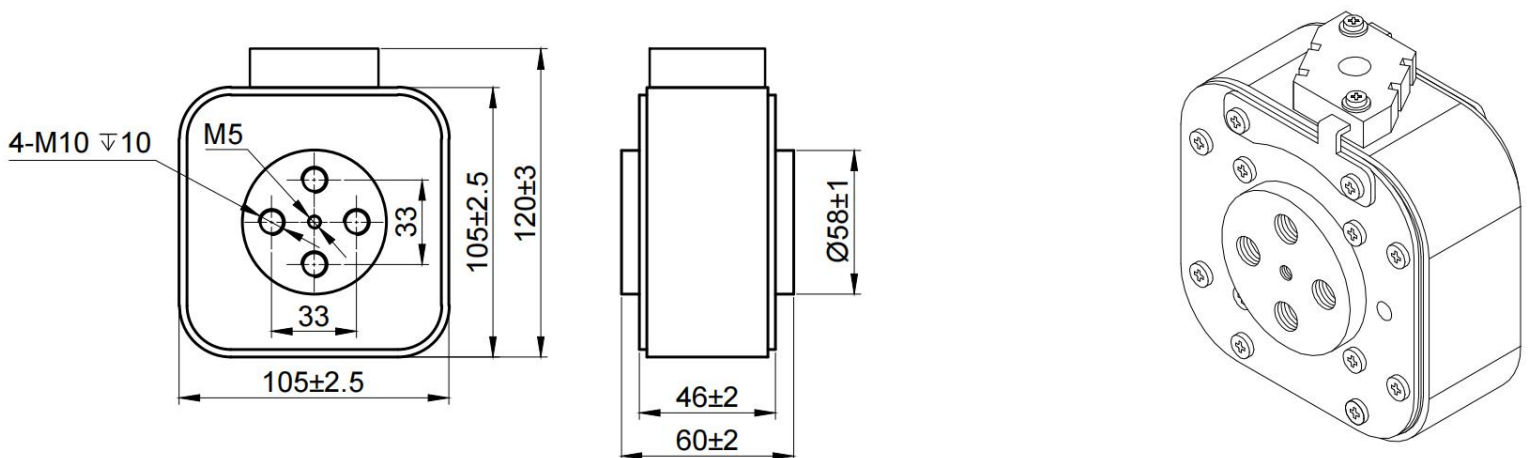
P/N	A±2	B±2	C±2	D±2.5	E±1	F	G±1
YRSA01-PK	51	43	45	59	φ17	M8	6
YRSA1-PK	51	43	53	69	φ20	M8	8
YRSA2-PK	51(65)	43	61	77	φ24	M10	10
YRSA3-PK	53(65)	44	75	92	φ30	M12	10

①YRSA2-PK: 1100-1250A, A=65 ②YRSA3-PK: 1600-2000A, A=65 ③G: stud screw-in depth



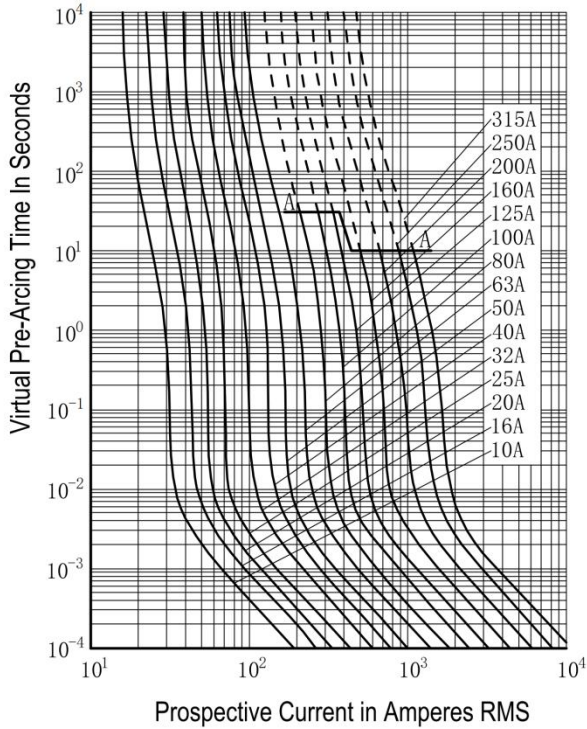
P/N	Size	Current (A)	I <sup>2</sup> t (A <sup>2</sup> s) 690V/700VAC		Power Loss (W)	Mounting
			Pre-arcing	Melt		
YRSA4-PK-690V/1000A	4	1000	78000	526000	175	Bolt M10 Torque 20N.m
YRSA4-PK-690V/1250A		1250	143000	955000	195	
YRSA4-PK-690V/1400A		1400	210000	1420000	205	
YRSA4-PK-690V/1600A		1600	311000	2110000	220	
YRSA4-PK-690V/2000A		2000	590000	3920000	245	
YRSA4-PK-690V/2500A		2500	121000	7810000	275	
YRSA4-PK-690V/3000A		3000	199000	13300000	305	
YRSA4-PK-690V/3500A		3500	326000	22100000	325	
YRSA4-PK-690V/4000A		4000	468000	27900000	355	

## Dimensions (mm)

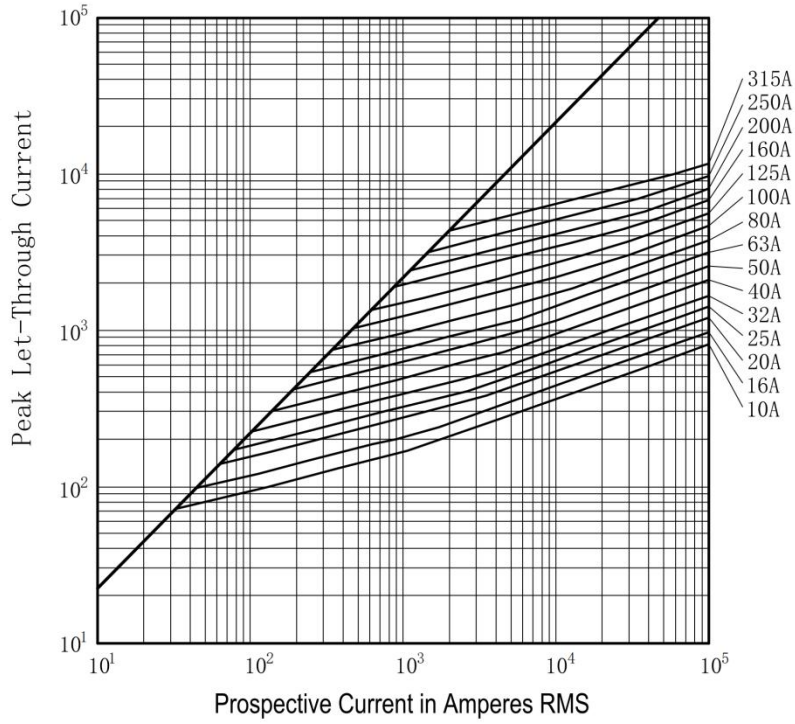


# Time-Current Characteristic (aR)

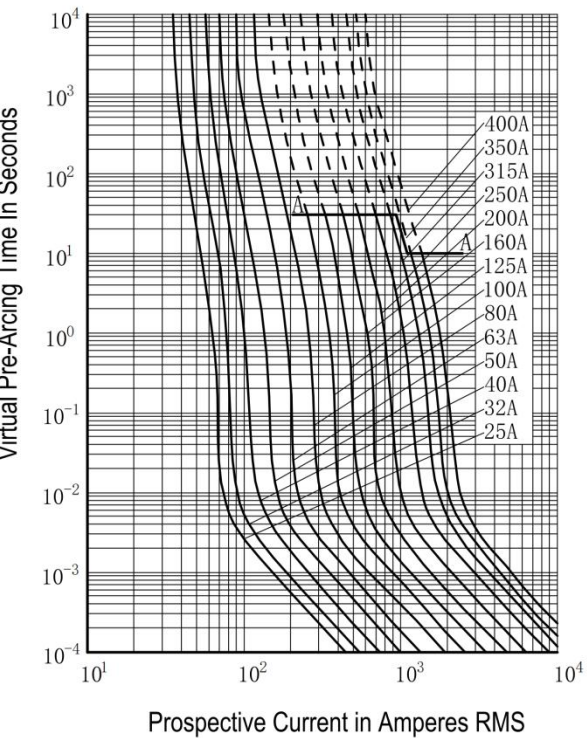
Size 000: 690V 10~315A



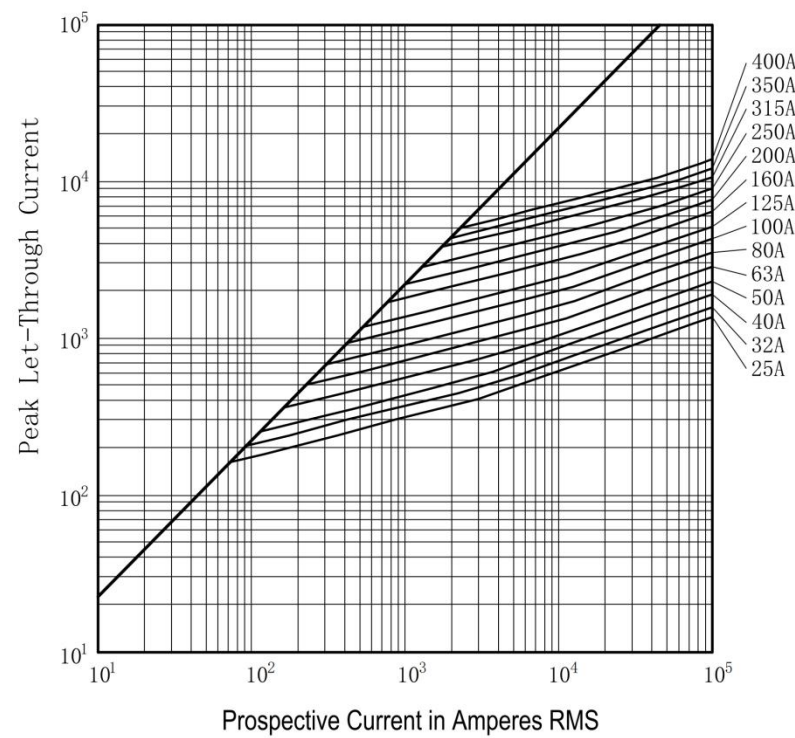
Size 000: 690V 10~315A



Size 00: 690V 25~400A

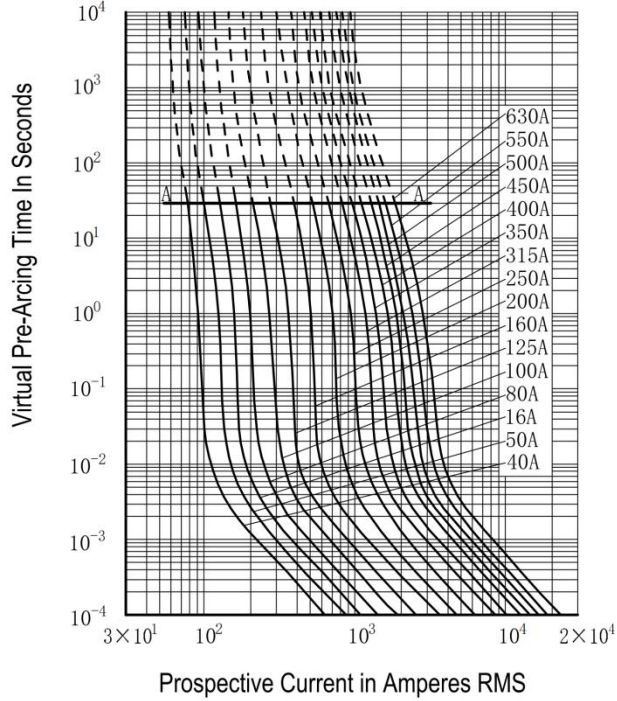
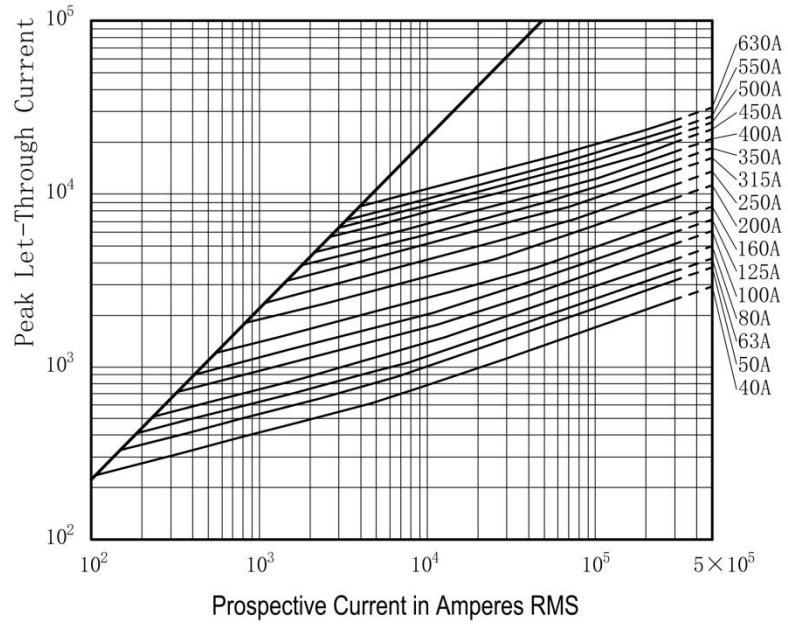
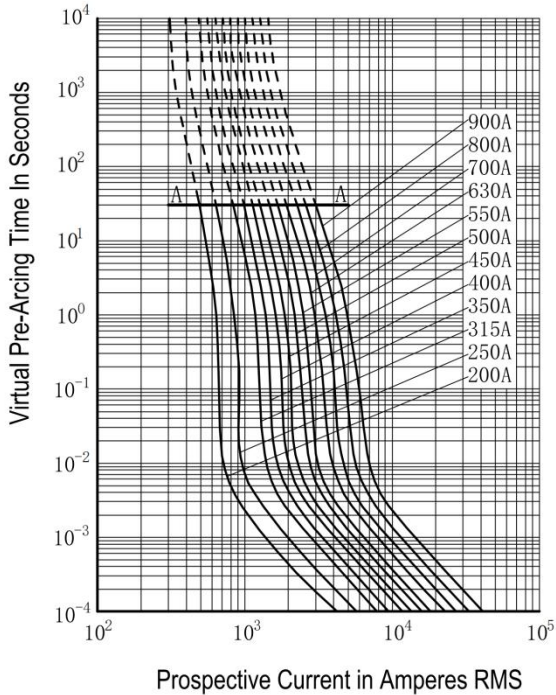
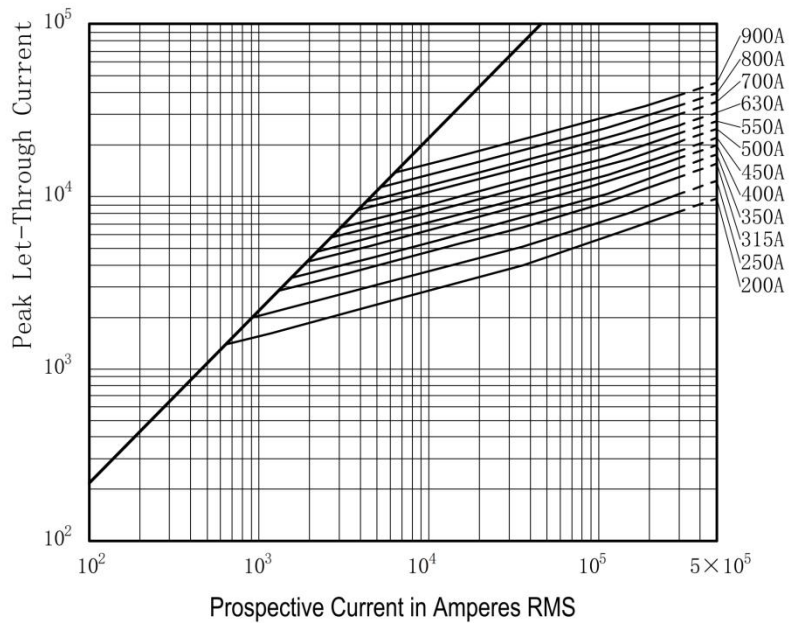


Size 00: 690V 25~400A

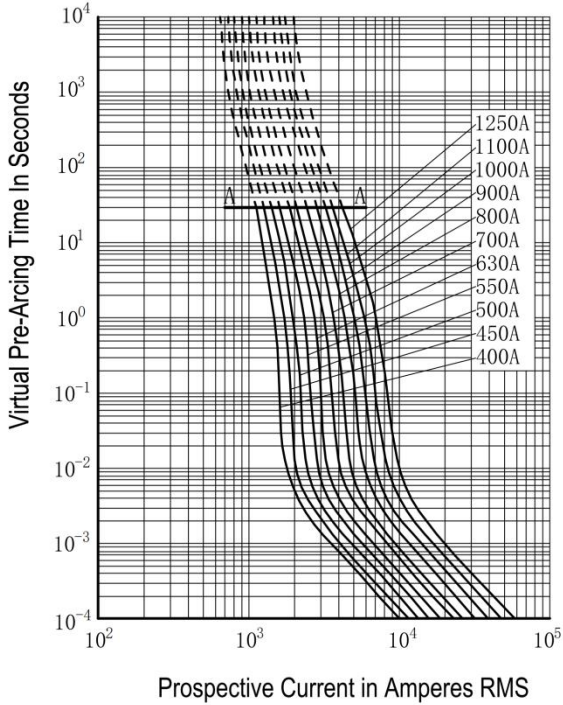
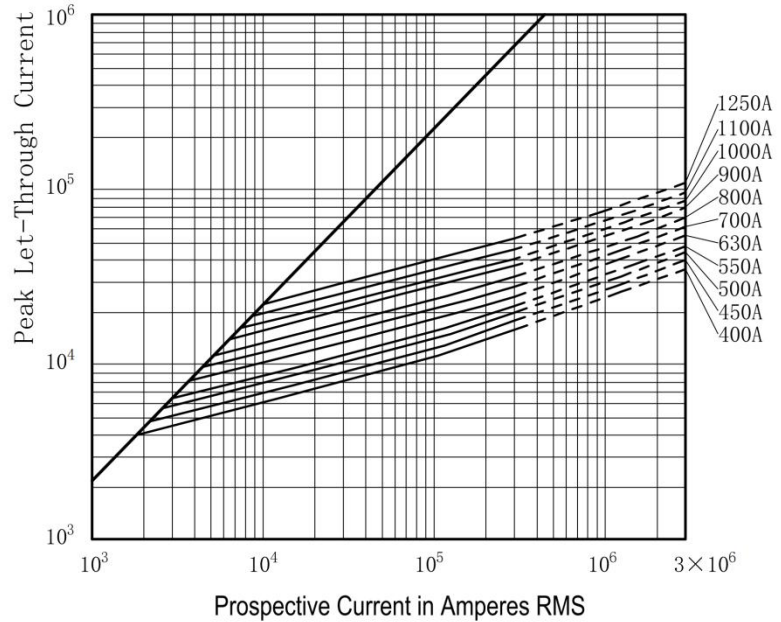
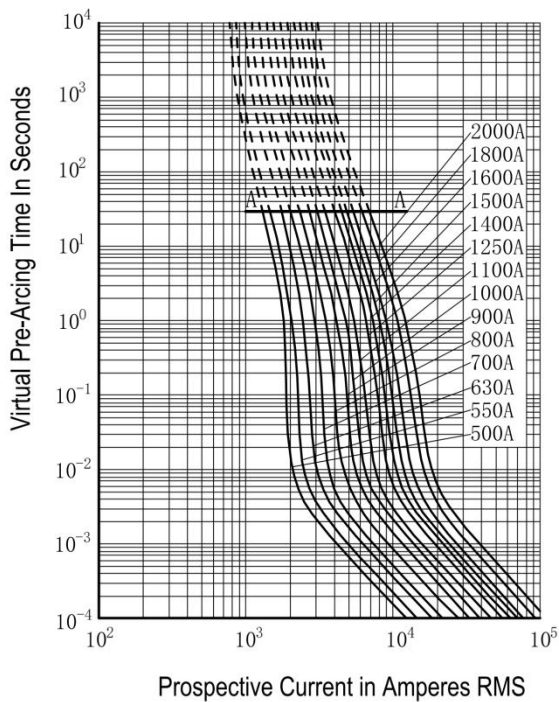
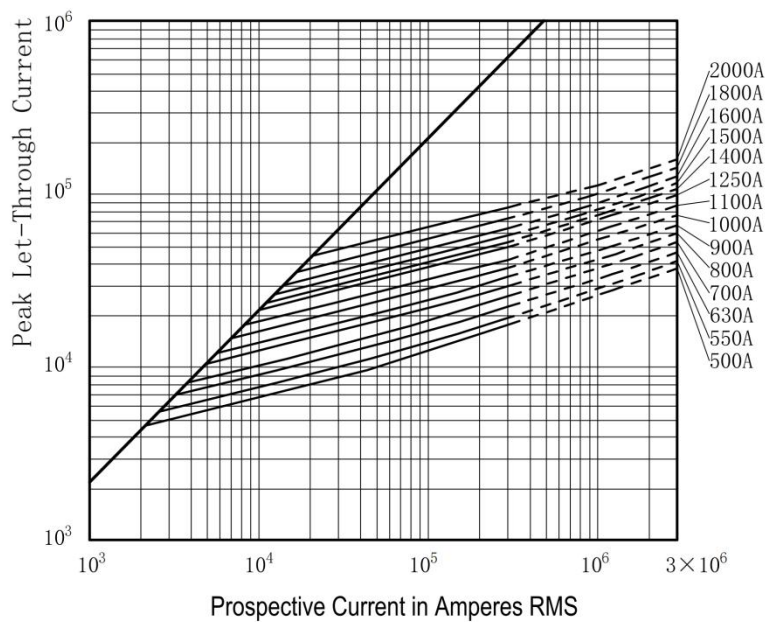


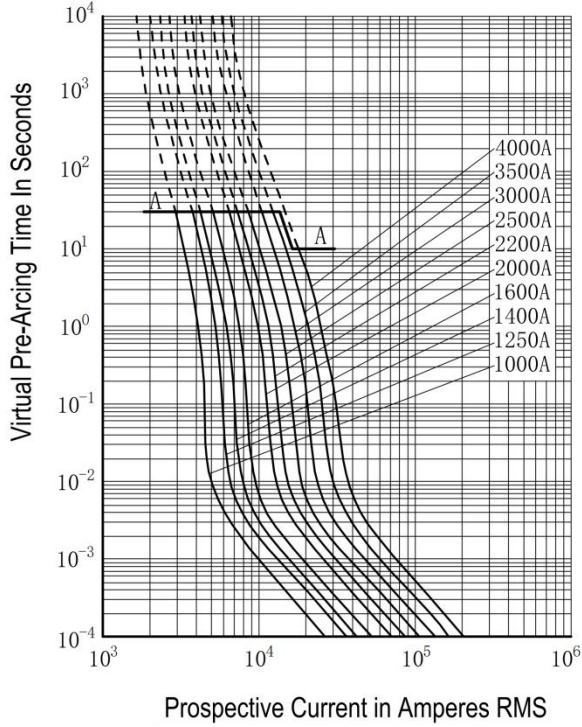
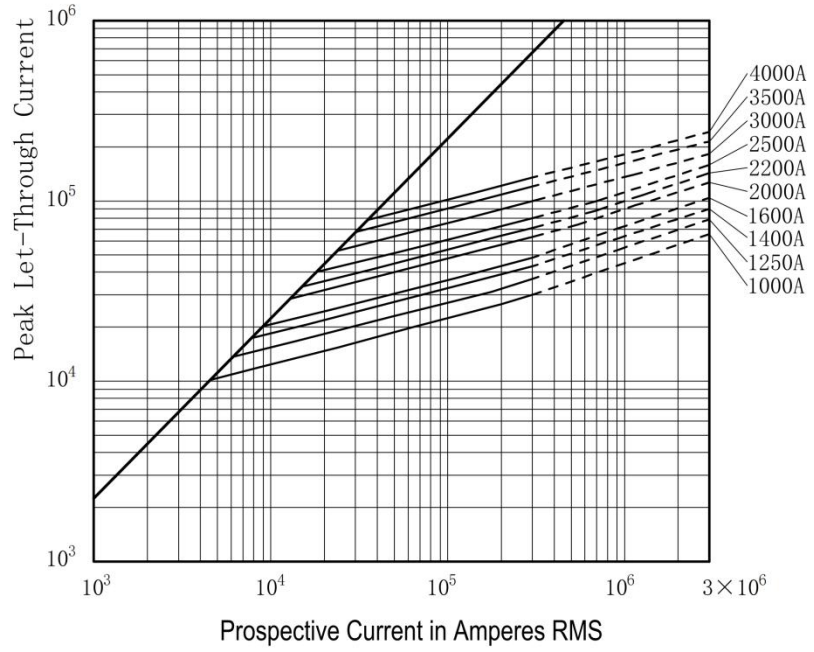
We reserve the right to make technical alterations



**Size 01: 690V 40~630A**

**Size 01: 690V 40~630A**

**Size 1: 690V 200~900A**

**Size 1: 690V 200~900A**




**Size 2: 690V 400~1250A**

**Size 2: 690V 400~1250A**

**Size 3: 690V 500~2000A**

**Size 3: 690V 500~2000A**


**Size 4: 690V 1000~4000A**

**Size 4: 690V 1000~4000A**


## Parameters

P/N	Size	Current (A)	I <sup>2</sup> t (A <sup>2</sup> s) 1250VAC/1000VDC		Power Loss (W)	Mounting
			Pre-arcing	Melt		
YRSA01-G-1250V/32A	01	32	56	430	12	Bolt M10 Torque 15N.m
YRSA01-G-1250V/40A		40	95	700	13	
YRSA01-G-1250V/50A		50	139	1060	15	
YRSA01-G-1250V/63A		63	230	1800	18	
YRSA01-G-1250V/80A		80	420	3200	22	
YRSA01-G-1250V/100A		100	755	5800	28	
YRSA01-G-1250V/125A		125	1500	11300	32	
YRSA01-G-1250V/160A		160	2500	20500	38	
YRSA01-G-1250V/200A		200	5200	39000	45	
YRSA01-G-1250V/250A		250	9300	73000	50	
YRSA01-G-1250V/315A		315	18500	149000	56	
YRSA01-G-1250V/350A		350	27000	208000	63	
YRSA01-G-1250V/400A		400	52000	306000	70	

P/N	Size	Current (A)	I <sup>2</sup> t (A <sup>2</sup> s) 1250VAC/1000VDC		Power Loss (W)	Mounting
			Pre-arcing	Melt		
YRSA1-G-1250V/160A	1	160	1850	14900	45	Bolt M10 Torque 15N.m
YRSA1-G-1250V/200A		200	3580	29700	50	
YRSA1-G-1250V/250A		250	7600	61000	58	
YRSA1-G-1250V/315A		315	14700	117000	65	
YRSA1-G-1250V/350A		350	19100	161000	70	
YRSA1-G-1250V/400A		400	29000	231000	75	
YRSA1-G-1250V/450A		450	41700	320000	80	
YRSA1-G-1250V/500A		500	69000	430000	85	
YRSA1-G-1250V/550A		550	94900	586000	92	
YRSA1-G-1250V/630A		630	129000	659000	100	

P/N	Size	Current (A)	I <sup>2</sup> t (A <sup>2</sup> s) 1250VAC/1000VDC		Power Loss (W)	Mounting
			Pre-arcing	Melt		
YRSA2-G-1250V/250A	2	250	6400	51000	62	Bolt M10 Torque 15N.m
YRSA2-G-1250V/280A		280	9200	73000	68	
YRSA2-G-1250V/315A		315	12800	104000	72	
YRSA2-G-1250V/350A		350	15800	135000	78	
YRSA2-G-1250V/400A		400	22900	178800	84	
YRSA2-G-1250V/450A		450	33000	268000	88	
YRSA2-G-1250V/500A		500	47700	379000	92	
YRSA2-G-1250V/550A		550	61400	489000	98	
YRSA2-G-1250V/630A		630	109800	729000	105	
YRSA2-G-1250V/700A		700	159000	1051000	112	
YRSA2-G-1250V/800A		800	245000	1550000	118	
YRSA2-G-1250V/900A		900	361000	1701000	124	
YRSA2-G-1250V/1000A		1000	479000	2349000	135	

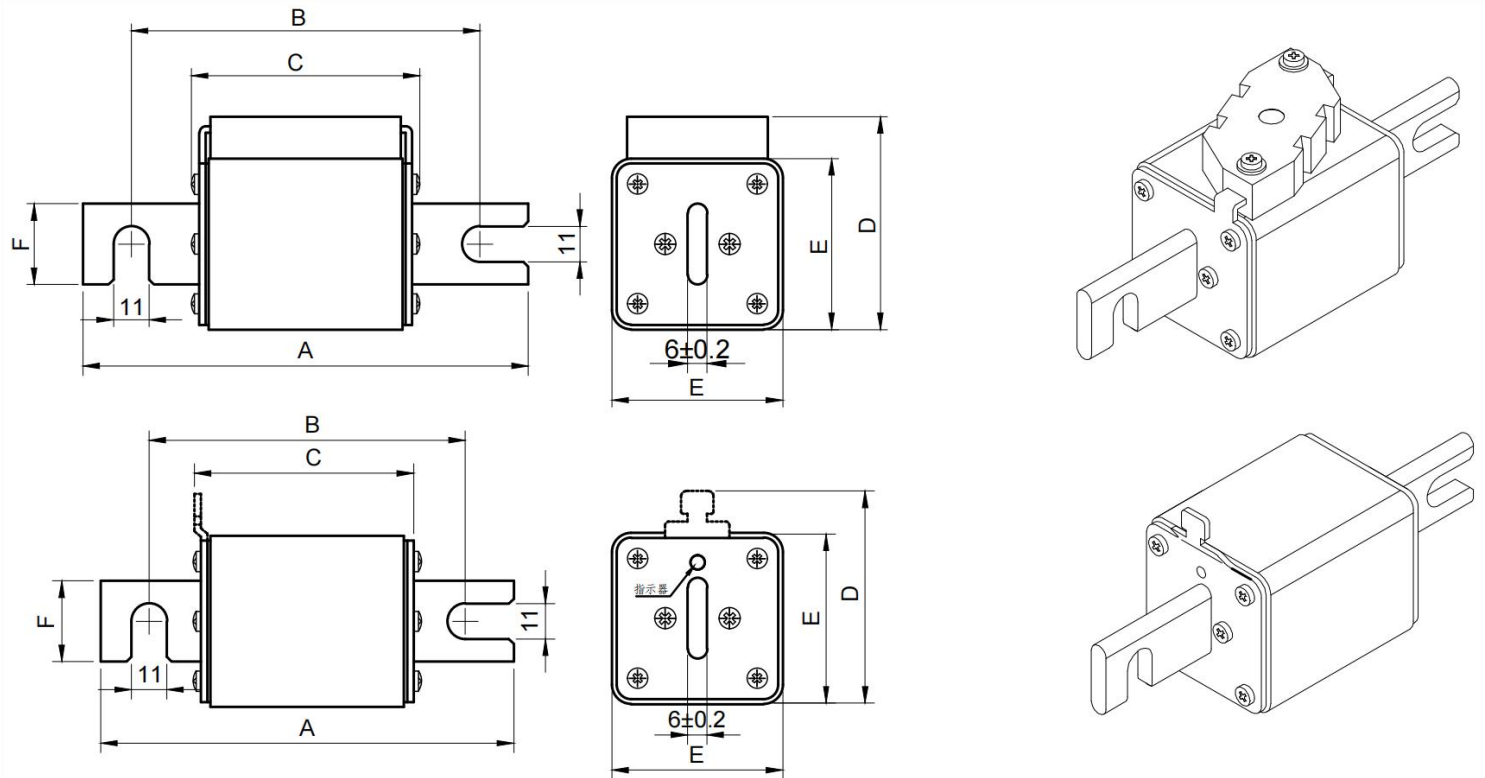


P/N	Size	Current (A)	I <sup>2</sup> t (A <sup>2</sup> s) 1250VAC/1000VDC		Power Loss (W)	Mounting
			Pre-arcing	Melt		
YRSA3-G-1250V/315A	3	315	9600	55000	83	Bolt M10 Torque 15N.m
YRSA3-G-1250V/350A		350	14100	81000	88	
YRSA3-G-1250V/400A		400	19000	109000	94	
YRSA3-G-1250V/450A		450	31400	174000	98	
YRSA3-G-1250V/500A		500	41000	221000	102	
YRSA3-G-1250V/550A		550	54900	311000	108	
YRSA3-G-1250V/630A		630	8400	480000	115	
YRSA3-G-1250V/700A		700	118000	679000	118	
YRSA3-G-1250V/800A		800	210000	980000	122	
YRSA3-G-1250V/900A		900	307000	1390000	130	
YRSA3-G-1250V/1000A		1000	456000	2010000	135	
YRSA3-G-1250V/1100A		1100	579000	2660000	138	
YRSA3-G-1250V/1250A		1250	805900	3949000	145	
YRSA3-G-1250V/1400A		1400	1249000	5970000	150	



## Dimensions (mm)

P/N	A±2.5	B±2.5	C±2.5	D±3 (GK)	D±2.5 (GT)	E±2	F±1
YRSA01-G	138	108	80	59	58	45	22
YRSA1-G	138	108	80	69	66	53	25
YRSA2-G	138	108	80	77	75	61	25
YRSA3-G	139	108	81	92	90	75	30



We reserve the right to make technical alterations

## Parameters

P/N	Size	Current (A)	I <sup>2</sup> t (A <sup>2</sup> s) 1250VAC/1000VDC		Power Loss (W)	Mounting
			Pre-arcing	Melt		
YRSA01-HK-1250V/32A	01	32	56	430	12	Bolt M8 Torque 10N.m
YRSA01-HK-1250V/40A		40	95	700	13	
YRSA01-HK-1250V/50A		50	139	1060	15	
YRSA01-HK-1250V/63A		63	230	1800	18	
YRSA01-HK-1250V/80A		80	420	3200	22	
YRSA01-HK-1250V/100A		100	755	5800	28	
YRSA01-HK-1250V/125A		125	1500	11300	32	
YRSA01-HK-1250V/160A		160	2500	20500	38	
YRSA01-HK-1250V/200A		200	5200	39000	45	
YRSA01-HK-1250V/250A		250	9300	73000	50	
YRSA01-HK-1250V/315A		315	18500	149000	56	
YRSA01-HK-1250V/350A		350	27000	208000	63	
YRSA01-HK-1250V/400A		400	52000	306000	70	

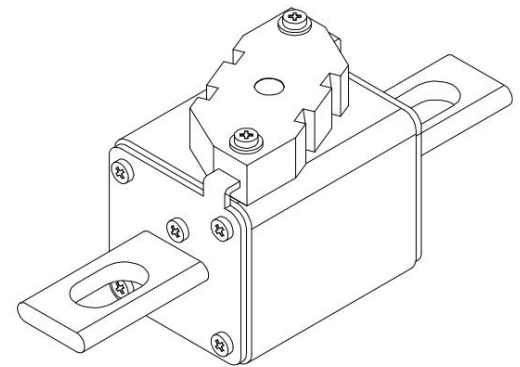
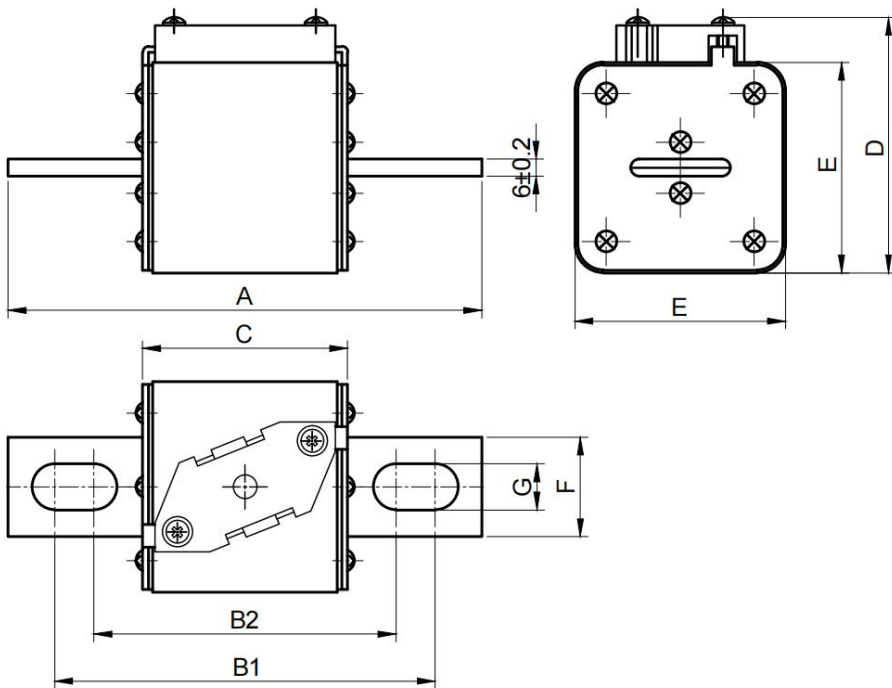
P/N	Size	Current (A)	I <sup>2</sup> t (A <sup>2</sup> s) 1250VAC/1000VDC		Power Loss (W)	Mounting
			Pre-arcing	Melt		
YRSA1-HK-1250V/160A	1	160	1850	14900	45	Bolt M12 Torque 26N.m
YRSA1-HK-1250V/200A		200	3580	29700	50	
YRSA1-HK-1250V/250A		250	7600	61000	58	
YRSA1-HK-1250V/315A		315	14700	117000	65	
YRSA1-HK-1250V/350A		350	19100	161000	70	
YRSA1-HK-1250V/400A		400	29000	231000	75	
YRSA1-HK-1250V/450A		450	41700	320000	80	
YRSA1-HK-1250V/500A		500	69000	430000	85	
YRSA1-HK-1250V/550A		550	94900	586000	92	
YRSA1-HK-1250V/630A		630	129000	659000	100	

P/N	Size	Current (A)	I <sup>2</sup> t (A <sup>2</sup> s) 1250VAC/1000VDC		Power Loss (W)	Mounting
			Pre-arcing	Melt		
YRSA2-HK-1250V/250A	2	250	6400	51000	62	Bolt M12 Torque 26N.m
YRSA2-HK-1250V/280A		280	9200	73000	68	
YRSA2-HK-1250V/315A		315	12800	104000	72	
YRSA2-HK-1250V/350A		350	15800	135000	78	
YRSA2-HK-1250V/400A		400	22900	178800	84	
YRSA2-HK-1250V/450A		450	33000	268000	88	
YRSA2-HK-1250V/500A		500	47700	379000	92	
YRSA2-HK-1250V/550A		550	61400	489000	98	
YRSA2-HK-1250V/630A		630	109800	729000	105	
YRSA2-HK-1250V/700A		700	159000	1051000	112	
YRSA2-HK-1250V/800A		800	245000	1550000	118	
YRSA2-HK-1250V/900A		900	361000	1701000	124	
YRSA2-HK-1250V/1000A		1000	479000	2349000	135	

P/N	Size	Current (A)	I <sup>2</sup> t (A <sup>2</sup> s) 1250VAC/1000VDC		Power Loss (W)	Mounting
			Pre-arcing	Melt		
YRSA3-HK-1250V/315A	3	315	9600	55000	83	Bolt M12 Torque 26N.m
YRSA3-HK-1250V/350A		350	14100	81000	88	
YRSA3-HK-1250V/400A		400	19000	109000	94	
YRSA3-HK-1250V/450A		450	31400	174000	98	
YRSA3-HK-1250V/500A		500	41000	221000	102	
YRSA3-HK-1250V/550A		550	54900	311000	108	
YRSA3-HK-1250V/630A		630	8400	480000	115	
YRSA3-HK-1250V/700A		700	118000	679000	118	
YRSA3-HK-1250V/800A		800	210000	980000	122	
YRSA3-HK-1250V/900A		900	307000	1390000	130	
YRSA3-HK-1250V/1000A		1000	456000	2010000	135	
YRSA3-HK-1250V/1100A		1100	579000	2660000	138	
YRSA3-HK-1250V/1250A		1250	805900	3949000	145	
YRSA3-HK-1250V/1400A	1400	1249000	5970000	150		

## Dimensions (mm)

P/N	A±2.5	B1±2.5	B2±2.5	C±2.5	D±3	E±2	F±1	G±2.5
YRSA01-HK	156	130	101	80	57	45	20	10
YRSA1-HK	160	127	102	80	67	53	25	14
YRSA2-HK	160	127	102	80	75	61	25	14
YRSA3-HK	159	128	101	81	90	75	36	16





## Parameters

P/N	Size	Current (A)	I <sup>2</sup> t (A <sup>2</sup> s) 1250VAC/1000VDC		Power Loss (W)	Mounting
			Pre-arcing	Melt		
YRSA01-PK-1250V/32A	01	32	56	430	12	Bolt M8 Torque 10N.m
YRSA01-PK-1250V/40A		40	95	700	13	
YRSA01-PK-1250V/50A		50	139	1060	15	
YRSA01-PK-1250V/63A		63	230	1800	18	
YRSA01-PK-1250V/80A		80	420	3200	22	
YRSA01-PK-1250V/100A		100	755	5800	28	
YRSA01-PK-1250V/125A		125	1500	11300	32	
YRSA01-PK-1250V/160A		160	2500	20500	38	
YRSA01-PK-1250V/200A		200	5200	39000	45	
YRSA01-PK-1250V/250A		250	9300	73000	50	
YRSA01-PK-1250V/315A		315	18500	149000	56	
YRSA01-PK-1250V/350A		350	27000	208000	63	
YRSA01-PK-1250V/400A		400	52000	306000	70	

P/N	Size	Current (A)	I <sup>2</sup> t (A <sup>2</sup> s) 1250VAC/1000VDC		Power Loss (W)	Mounting
			Pre-arcing	Melt		
YRSA1-PK-1250V/160A	1	160	1850	14900	45	Bolt M12 Torque 26N.m
YRSA1-PK-1250V/200A		200	3580	29700	50	
YRSA1-PK-1250V/250A		250	7600	61000	58	
YRSA1-PK-1250V/315A		315	14700	117000	65	
YRSA1-PK-1250V/350A		350	19100	161000	70	
YRSA1-PK-1250V/400A		400	29000	231000	75	
YRSA1-PK-1250V/450A		450	41700	320000	80	
YRSA1-PK-1250V/500A		500	69000	430000	85	
YRSA1-PK-1250V/550A		550	94900	586000	92	
YRSA1-PK-1250V/630A		630	129000	659000	100	

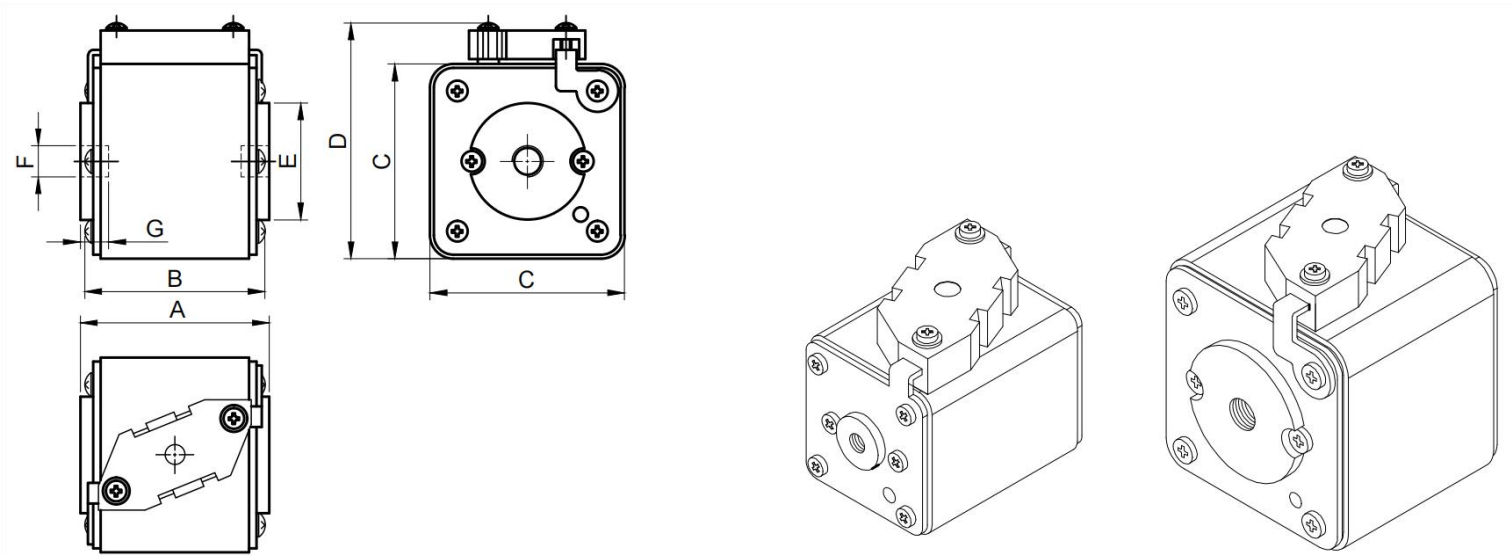
P/N	Size	Current (A)	I <sup>2</sup> t (A <sup>2</sup> s) 1250VAC/1000VDC		Power Loss (W)	Mounting
			Pre-arcing	Melt		
YRSA2-PK-1250V/250A	2	250	6400	51000	62	Bolt M12 Torque 26N.m
YRSA2-PK-1250V/280A		280	9200	73000	68	
YRSA2-PK-1250V/315A		315	12800	104000	72	
YRSA2-PK-1250V/350A		350	15800	135000	78	
YRSA2-PK-1250V/400A		400	22900	178800	84	
YRSA2-PK-1250V/450A		450	33000	268000	88	
YRSA2-PK-1250V/500A		500	47700	379000	92	
YRSA2-PK-1250V/550A		550	61400	489000	98	
YRSA2-PK-1250V/630A		630	109800	729000	105	
YRSA2-PK-1250V/700A		700	159000	1051000	112	
YRSA2-PK-1250V/800A		800	245000	1550000	118	
YRSA2-PK-1250V/900A		900	361000	1701000	124	
YRSA2-PK-1250V/1000A		1000	479000	2349000	135	

P/N	Size	Current (A)	I <sup>2</sup> t (A <sup>2</sup> s) 1250VAC/1000VDC		Power Loss (W)	Mounting
			Pre-arcing	Melt		
YRSA3-PK-1250V/315A	3	315	9600	55000	83	Bolt M12 Torque 26N.m
YRSA3-PK-1250V/350A		350	14100	81000	88	
YRSA3-PK-1250V/400A		400	19000	109000	94	
YRSA3-PK-1250V/450A		450	31400	174000	98	
YRSA3-PK-1250V/500A		500	41000	221000	102	
YRSA3-PK-1250V/550A		550	54900	311000	108	
YRSA3-PK-1250V/630A		630	8400	480000	115	
YRSA3-PK-1250V/700A		700	118000	679000	118	
YRSA3-PK-1250V/800A		800	210000	980000	122	
YRSA3-PK-1250V/900A		900	307000	1390000	130	
YRSA3-PK-1250V/1000A		1000	456000	2010000	135	
YRSA3-PK-1250V/1100A		1100	579000	2660000	138	
YRSA3-PK-1250V/1250A		1250	805900	3949000	145	
YRSA3-PK-1250V/1400A		1400	1249000	5970000	150	

## Dimensions (mm)

P/N	A±2	B±2	C±2	D±2	E±1	F	G±1
YRSA01-PK	76	74	45	57	φ17	M8	7
YRSA1-PK	81	80	53	67	φ20	M8	8
YRSA2-PK	81 (91)	80	61	75	φ24	M10	10
YRSA3-PK	82 (91)	81	75	90	φ30	M12	10

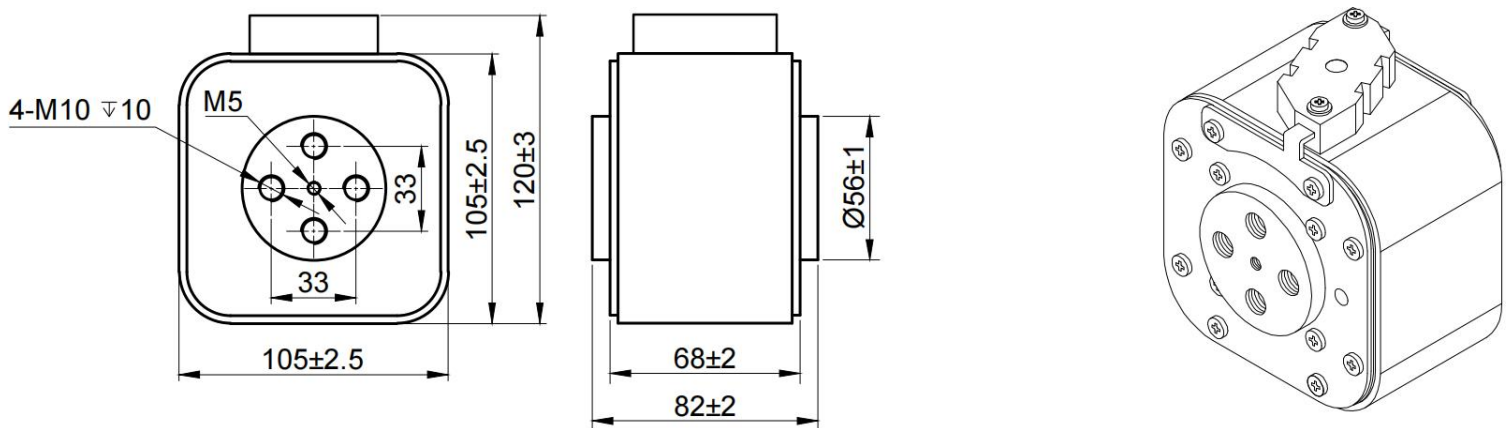
①YRSA2-PK: 900-1000A, A=91 ②YRSA3-PK: 1250-1400A, A=91 ③G: stud screw-in depth



## Parameters

P/N	Size	Current (A)	I <sup>2</sup> t (A <sup>2</sup> s) 1250VAC/1000VDC		Power Loss (W)	Mounting
			Pre-arcing	Melt		
YRSA4-PK-1250V/1000A	4	1000	143000	955000	195	Bolt M10 Torque 15N.m
YRSA4-PK-1250V/1250A		1250	210000	1420000	205	
YRSA4-PK-1250V/1400A		1400	311000	2110000	220	
YRSA4-PK-1250V/1600A		1600	590000	3920000	245	
YRSA4-PK-1250V/2000A		2000	121000	7810000	275	
YRSA4-PK-1250V/2500A		2500	199000	13300000	305	

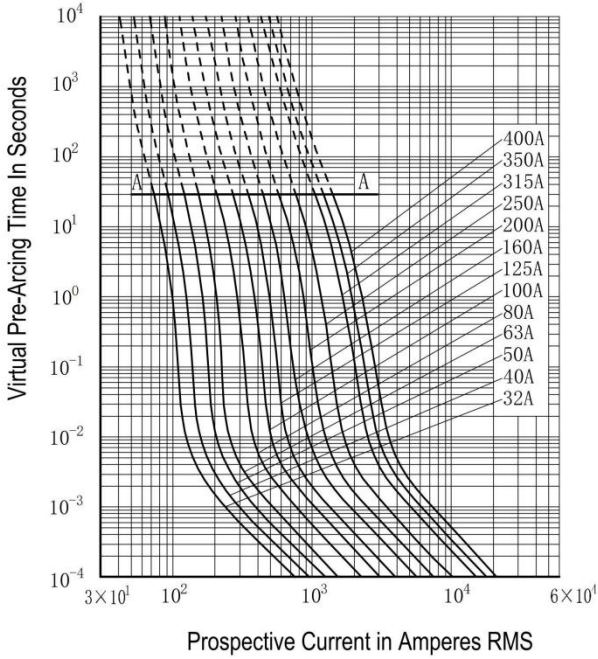
## Dimensions (mm)



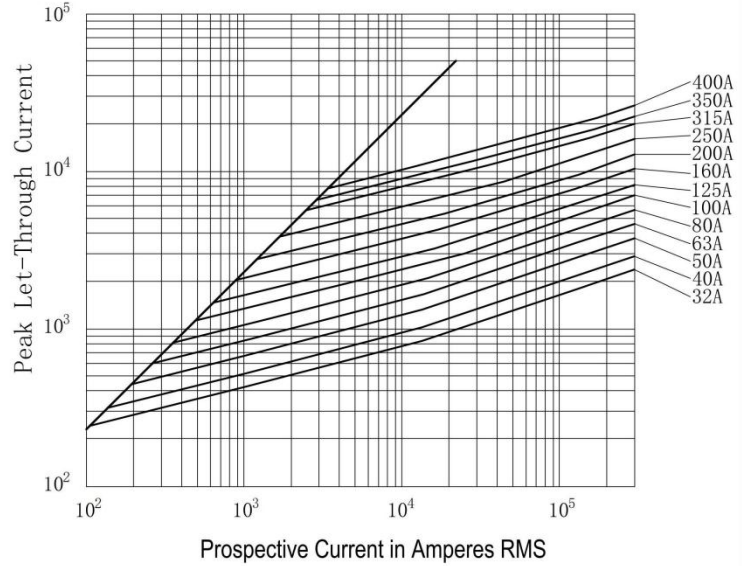


# Time-Current Characteristic (aR)

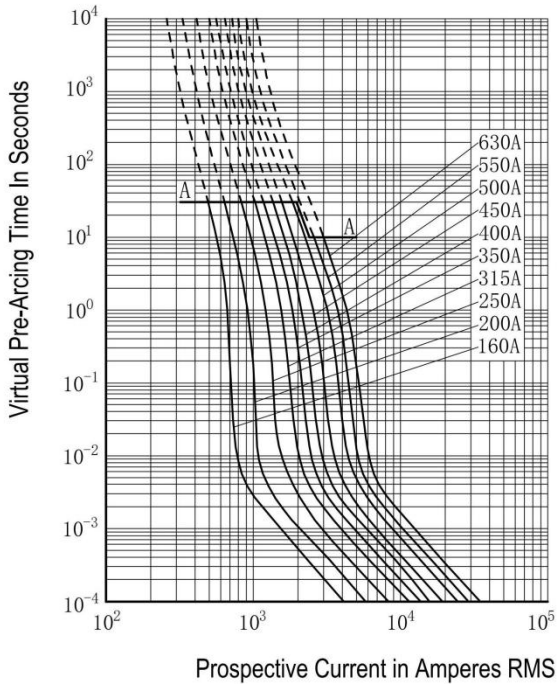
Size 01: AC1250V/DC10032~400A



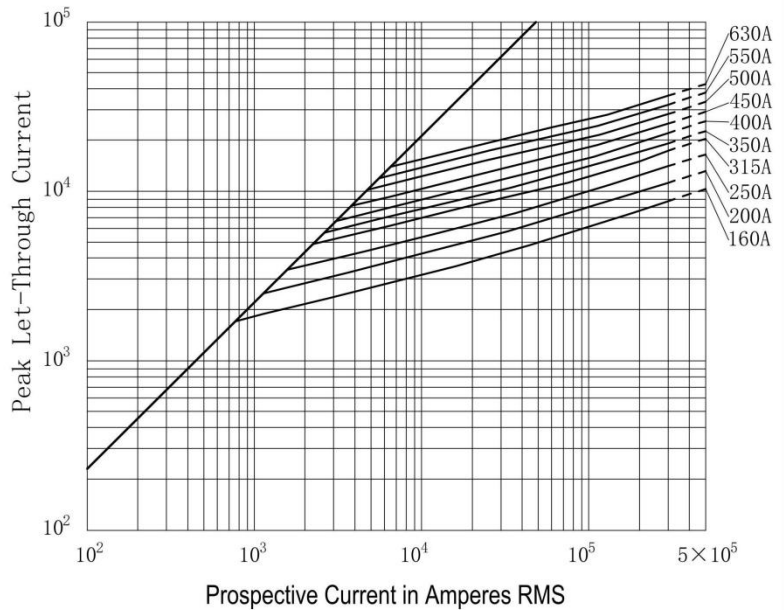
Size 01: AC1250V/DC10032~400A

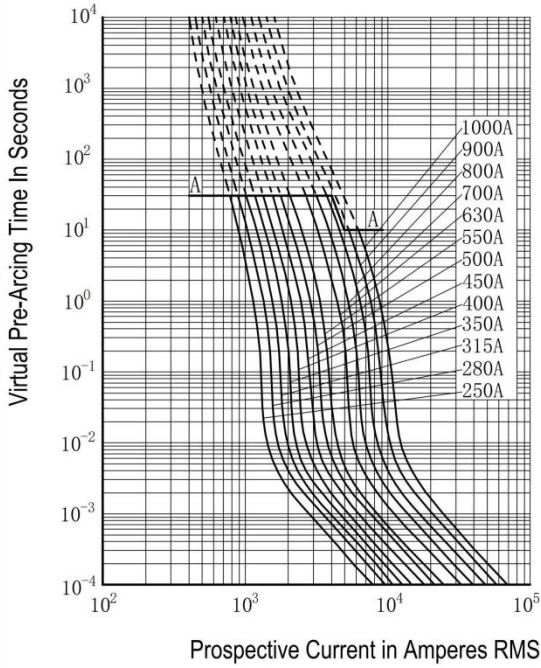
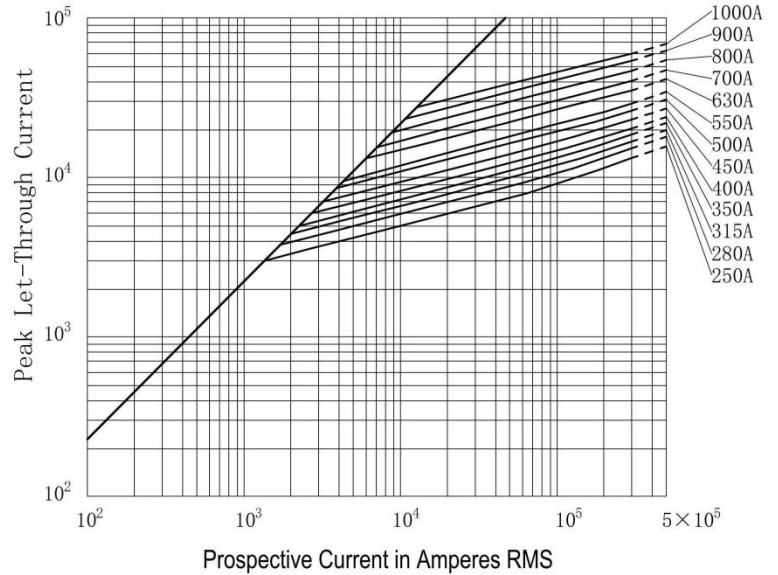
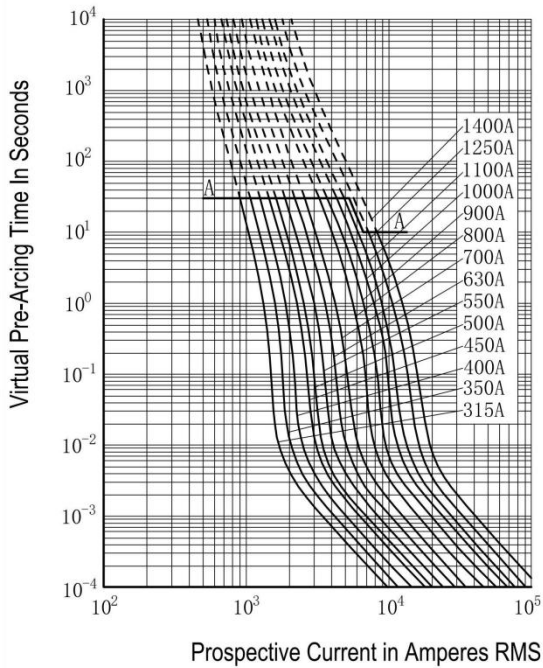
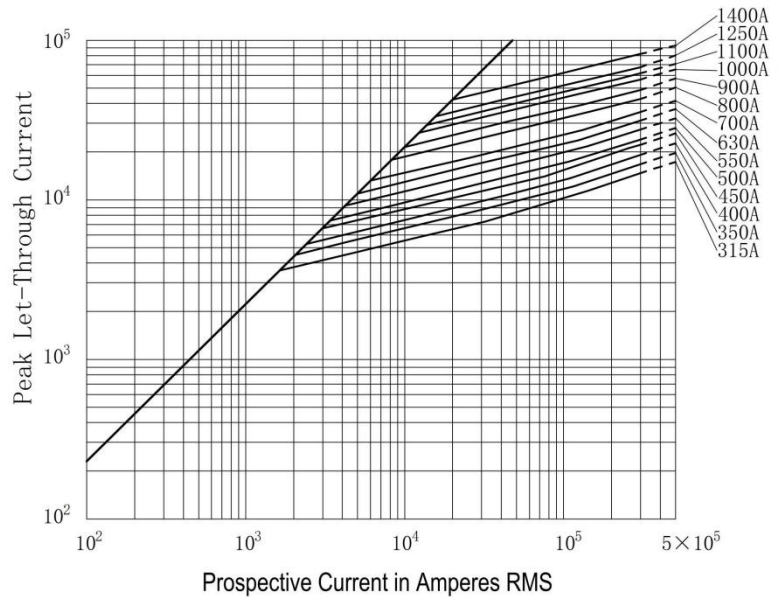


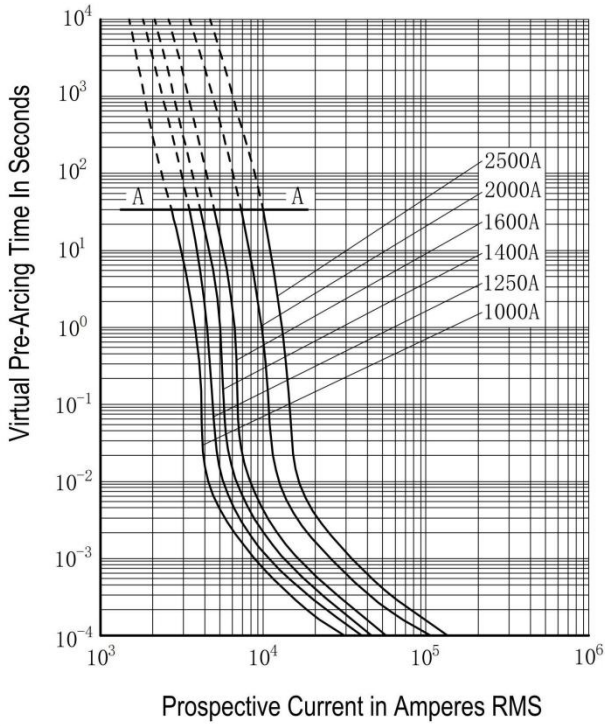
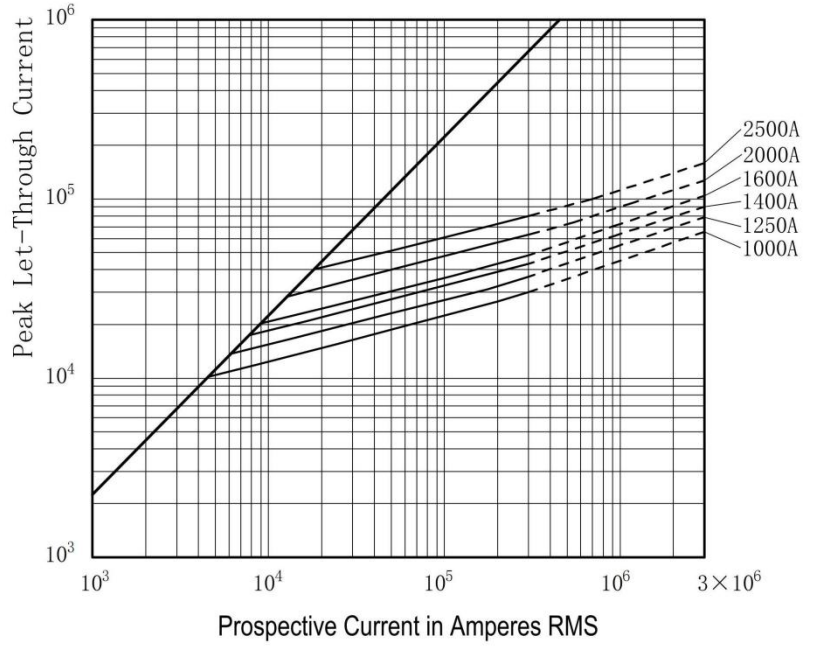
Size 1: AC1250V/DC1000V 160~630A



Size 1: AC1250V/DC1000V 160~630A



**Size 2: AC1250V/DC1000V 250~1000A**

**Size 2: AC1250V/DC1000V 250~1000A**

**Size 3: AC1250V/DC1000V 315~1400A**

**Size 3: AC1250V/DC1000V 315~1400A**


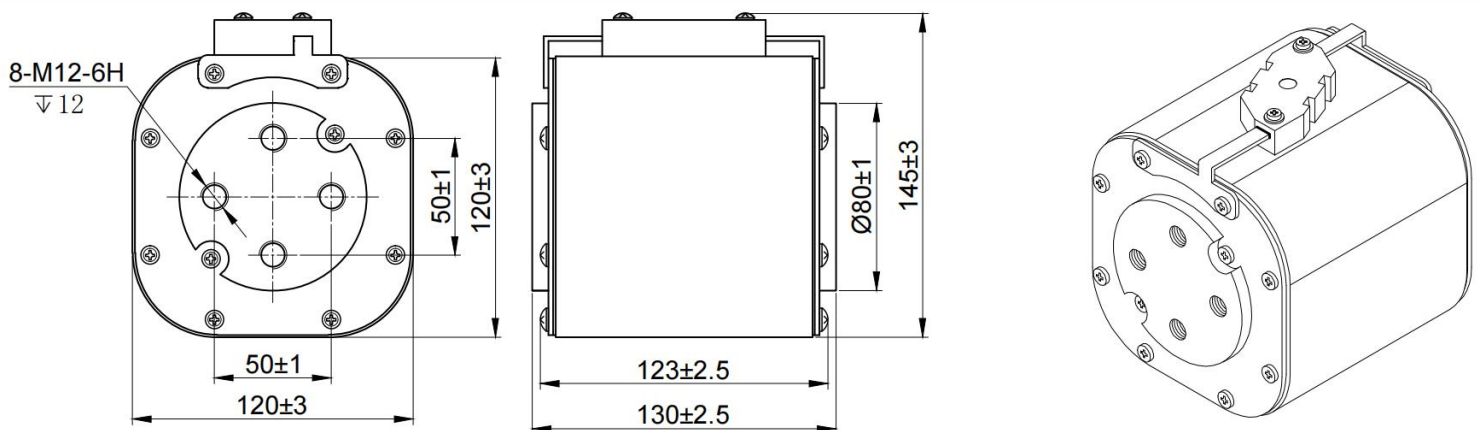
**Size 4: AC1250V/DC1000V 1000~2500A**

**Size 4: AC1250V/DC1000V 1000~2500A**




## Parameters

P/N	Size	Current (A)	I <sup>2</sup> t (A <sup>2</sup> s) 1500VAC/DC		Power Loss (W)	Mounting
			Pre-arcing	Melt		
YRSA5-PK-1500V/1800A	5	1800	143000	955000	195	Bolt M12 Torque 38N.m
YRSA5-PK-1500V/2000A		2000	210000	1420000	205	
YRSA5-PK-1500V/2500A		2500	311000	2110000	220	
YRSA5-PK-1500V/2800A		2800	590000	3920000	245	
YRSA5-PK-1500V/3000A		3000	1210000	7810000	275	

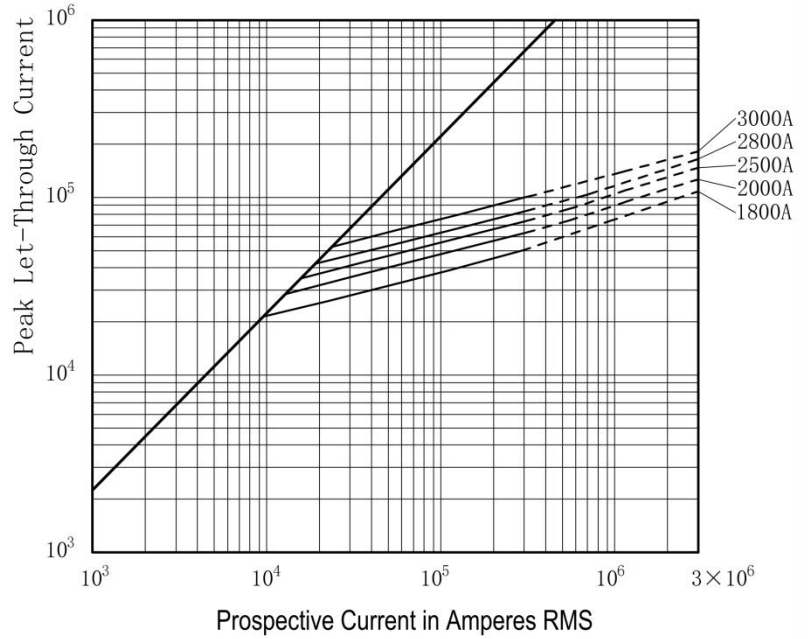
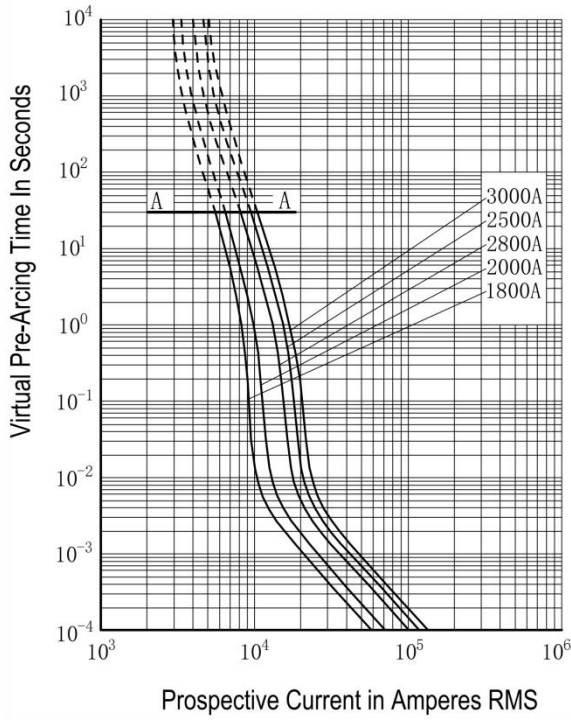
## Dimensions (mm)



# Time-Current Characteristic (aR)

Size 5: 1500V 1800~3000A

Size 5: 1500V 1800~3000A

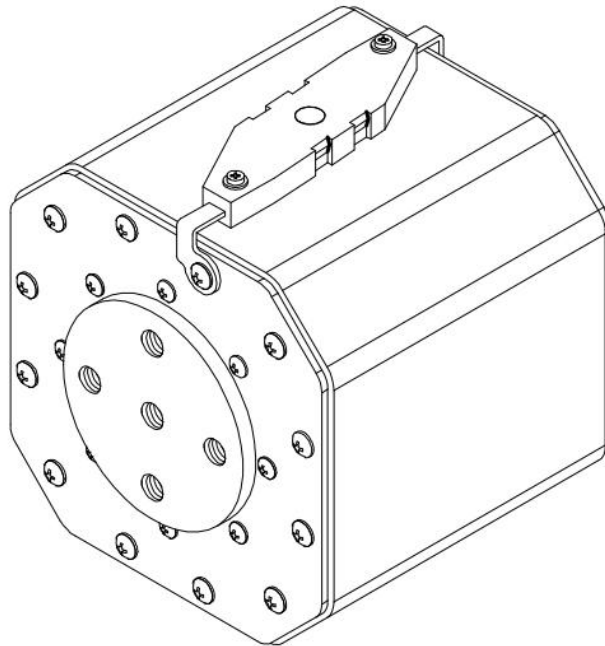
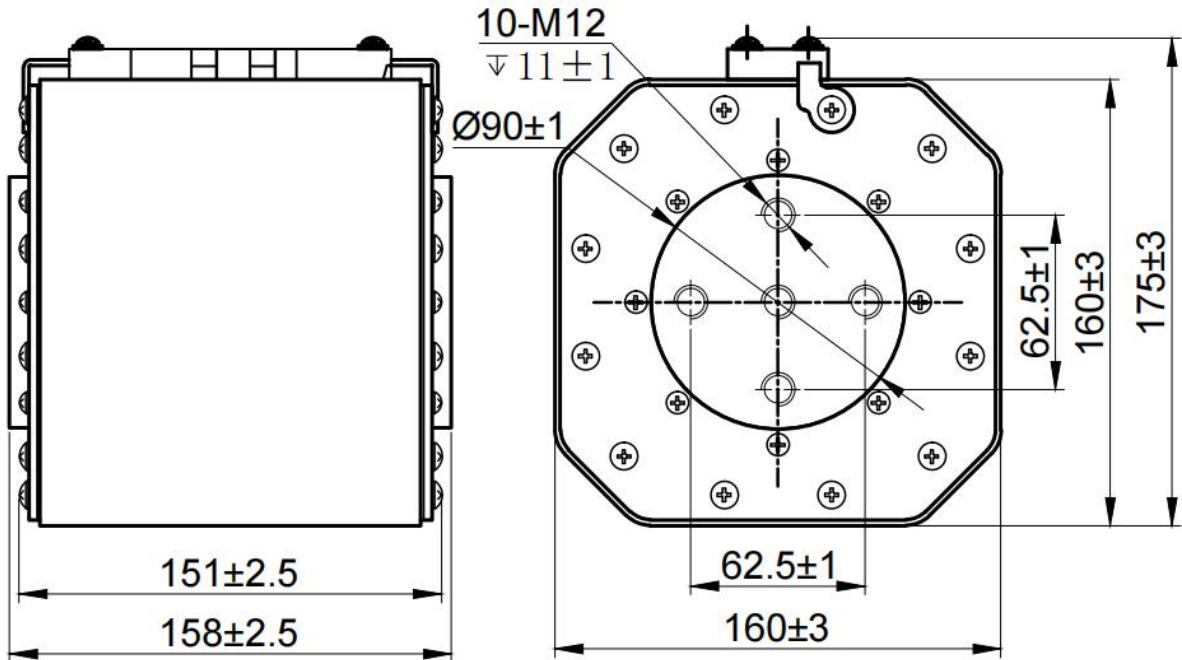


## Parameters

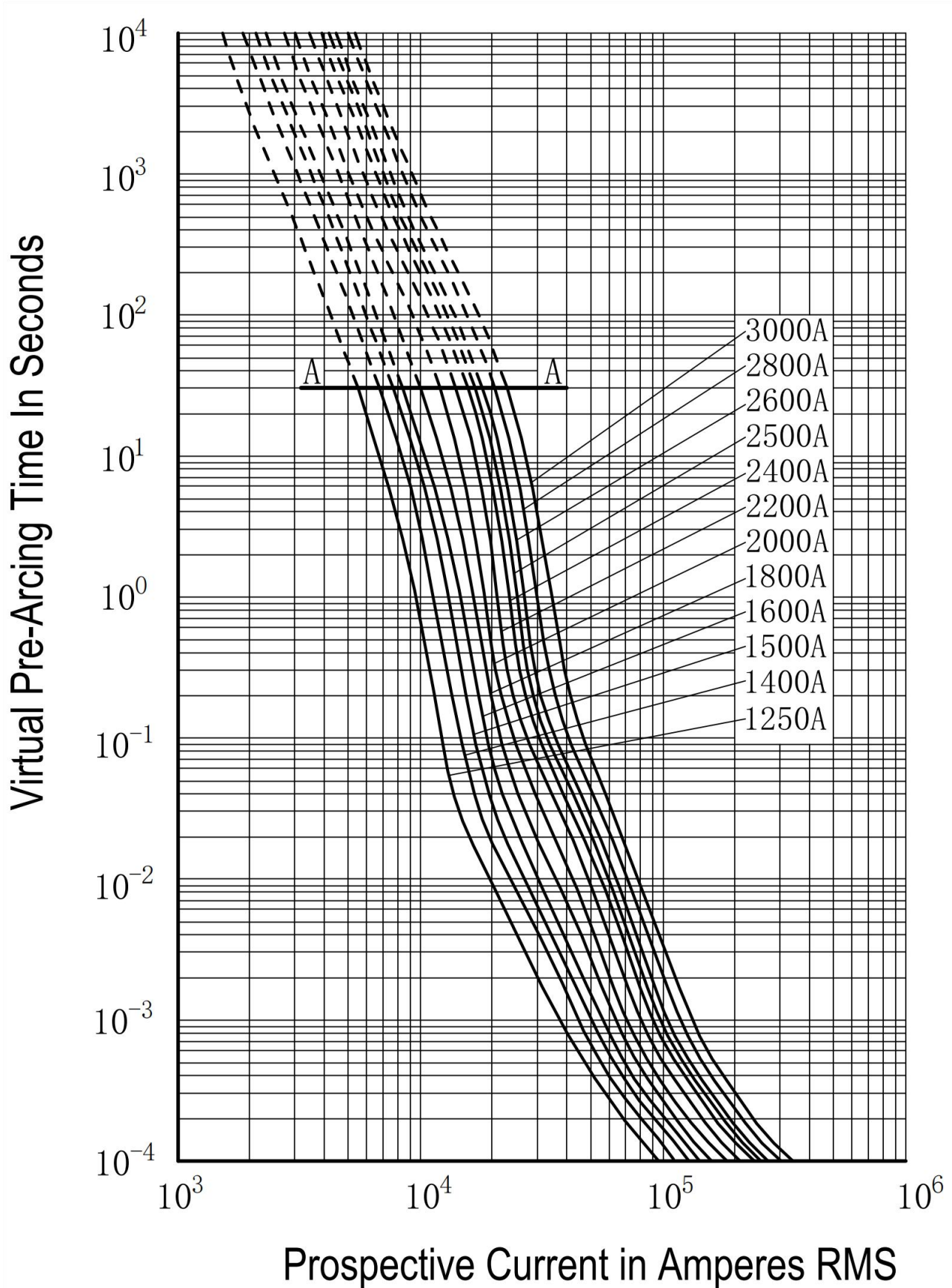
P/N	Size	Current (A)	I <sup>2</sup> t (A <sup>2</sup> s) 1500VAC/DC		Power Loss (W)	Mounting
			Pre-arcing	Melt		
YRSA7-PK-1500V/1250A	7	1250	902000	2950000	220	Bolt M12 Torque 38N.m
YRSA7-PK-1500V/1400A		1400	1200000	3910000	235	
YRSA7-PK-1500V/1500A		1500	1390000	4820000	245	
YRSA7-PK-1500V/1600A		1600	1750000	5950000	265	
YRSA7-PK-1500V/1800A		1800	2610000	8510000	285	
YRSA7-PK-1500V/2000A		2000	3230000	12100000	310	
YRSA7-PK-1500V/2200A		2200	4090000	17200000	340	
YRSA7-PK-1500V/2400A		2400	5180000	19800000	380	
YRSA7-PK-1500V/2500A		2500	5880000	24000000	395	
YRSA7-PK-1500V/2600A		2600	6930000	27200000	410	
YRSA7-PK-1500V/2800A		2800	8620000	31500000	430	
YRSA7-PK-1500V/3000A		3000	11800000	38500000	455	



## Dimensions (mm)



## Time-Current Characteristic (aR)



## "gR"、"gS" Conventional Time and Conventional Current

Rated Current (A)	Conventional Time (h)	Conventional Current			
		"gR"		"gS"	
		Inf	If	Inf	If
$I_n \leq 63$	1				
$63 < I_n \leq 160$	2	1.13 $I_n$	1.6 $I_n$	1.25 $I_n$	1.6 $I_n$
$160 < I_n \leq 400$	3				
$400 < I_n$	4				

Note:  $I_n$  is the rated current of the fuse;  $I_{nf}$  is the conventional non-fusing current;  $I_f$  is the conventional fusing current.



## Business & Technical Contact

Peter Huang

**Address:** Changchun industrial zone, Liushi town, Wenzhou city, Zhejiang province,  
325604, China

**Tel:** +86-577-61752976

**Phone:** +86-15057772502

**Fax:** +86-577-61750013

**E-mail:** [peter@galaxyfuse.com](mailto:peter@galaxyfuse.com)

**Website:** [www.galaxyfuse.com](http://www.galaxyfuse.com)



Copyright©2022 Zhejiang Galaxy Fuse Co., Ltd. All Rights Reserved

Unified Social Credit Code (VAT): 913303822560220278